

Copyright 2014 Iowa State University of Science and Technology

Permission is granted to copy, reproduce, and distribute this seed cleaner design in any medium or format, provided that: you do not charge any fees, you include the copyright notice, and this statement appears on each copy of the design. The seed cleaner design is provided by ISU with NO WARRANTY. USERS AGREE TO ACCEPT THE SEED CLEANER DESIGN ON AN "AS IS" BASIS, WITHOUT WARRANTY OF ANY KIND, EXPRESSED OR IMPLIED. ISU SPECIFICALLY DISCLAIMS ANY IMPLIED WARRANTIES OF MERCHANTABILITY AND FITNESS FOR A PARTICULAR PURPOSE, AND THE ENTIRE RISK AS TO THE PERFORMANCE OF THE PRODUCT IS WITH THE USERS AND NOT ISU.

UNLESS OTHERWISE SPECIFIED:
 DIMENSIONS ARE IN MILLIMETERS
 SURFACE FINISH:
 TOLERANCES:
 LINEAR:
 ANGULAR:

FINISH:

 DEBUR AND
 BREAK SHARP
 EDGES

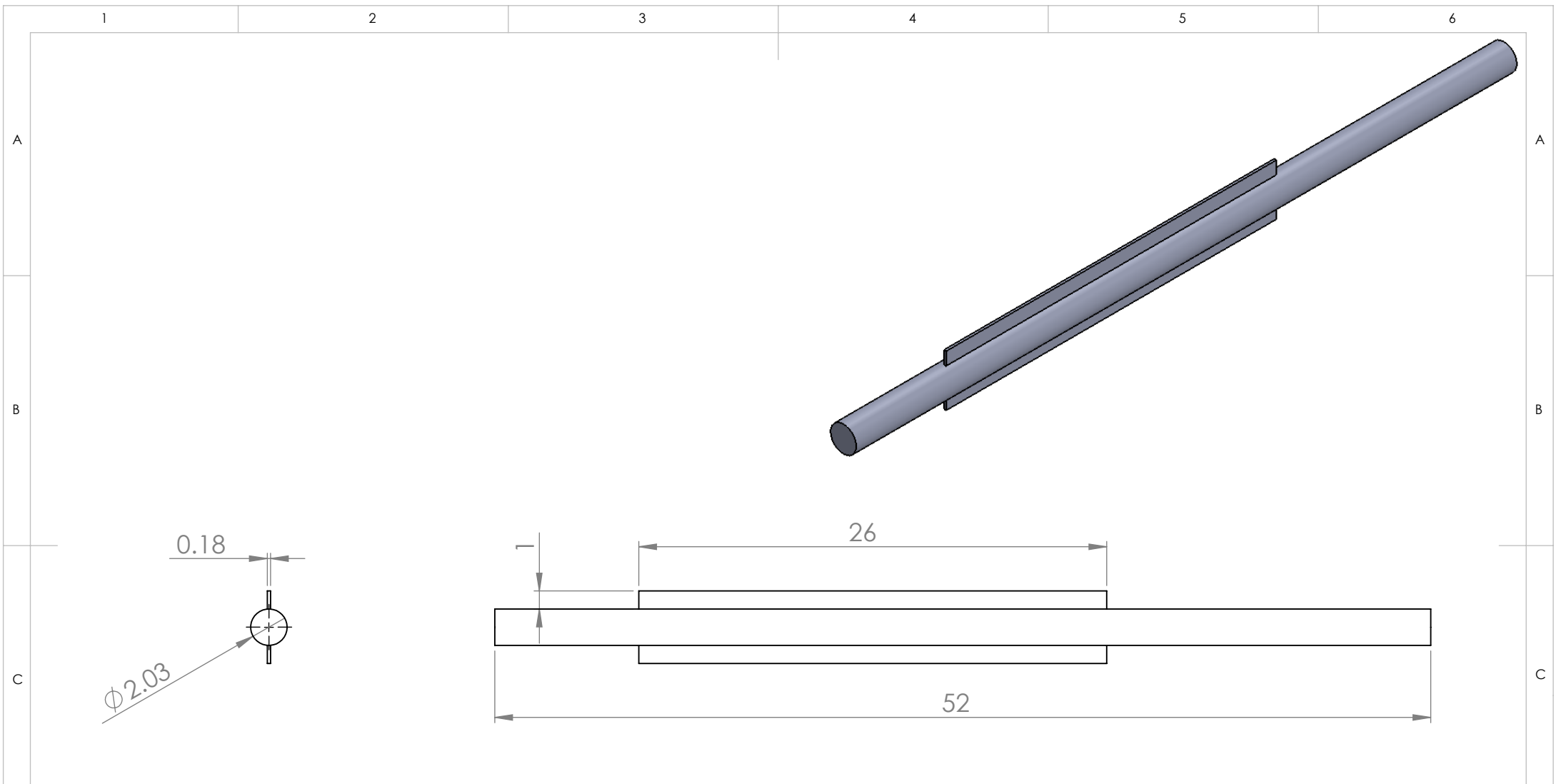
DO NOT SCALE DRAWING REVISION R0

Dimensions in cm

	NAME	SIGNATURE	DATE		
DRAWN	Anastacia MacAllister		09/13/14		
CHK'D					
APPV'D					
MFG					
Q.A				MATERIAL:	
				WEIGHT:	

TITLE:
bikePedalCrank_132

DWG NO. A4

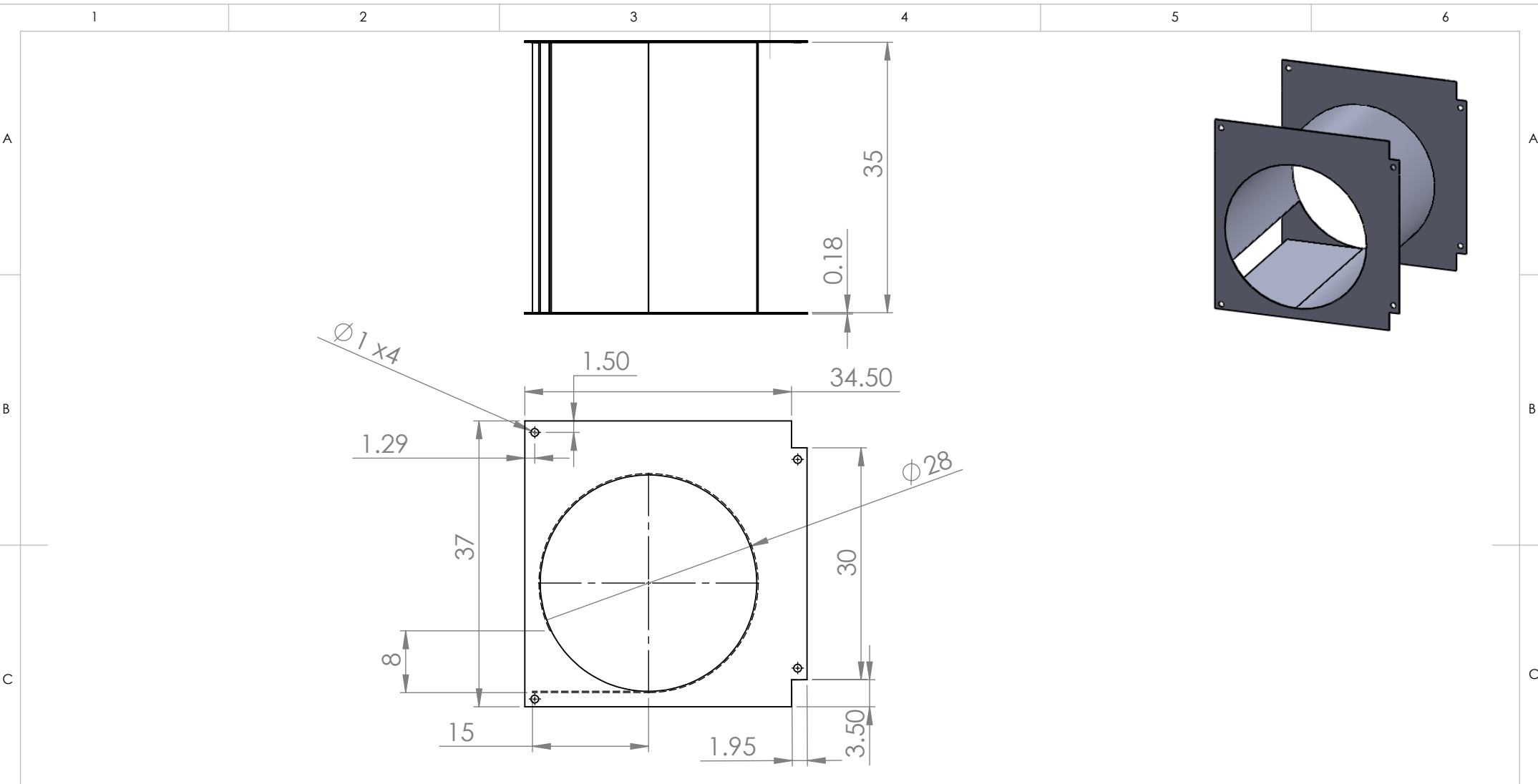


Copyright 2014 Iowa State University of Science and Technology

Permission is granted to copy, reproduce, and distribute this seed cleaner design in any medium or format, provided that: you do not charge any fees, you include the copyright notice, and this statement appears on each copy of the design. The seed cleaner design is provided by ISU with NO WARRANTY. USERS AGREE TO ACCEPT THE SEED CLEANER DESIGN ON AN "AS IS" BASIS, WITHOUT WARRANTY OF ANY KIND, EXPRESSED OR IMPLIED. ISU SPECIFICALLY DISCLAIMS ANY IMPLIED WARRANTIES OF MERCHANTABILITY AND FITNESS FOR A PARTICULAR PURPOSE, AND THE ENTIRE RISK AS TO THE PERFORMANCE OF THE PRODUCT IS WITH THE USERS AND NOT ISU.

UNLESS OTHERWISE SPECIFIED: DIMENSIONS ARE IN MILLIMETERS SURFACE FINISH: TOLERANCES: LINEAR: ANGULAR:				FINISH:		DEBUR AND BREAK SHARP EDGES	
	NAME	SIGNATURE	DATE				
DRAWN	Anastacia MacAllister		09/13/14				
CHK'D							
APPV'D							
MFG							
Q.A				MATERIAL: Round Bar and Sheet Metal			
				WEIGHT:			

DO NOT SCALE DRAWING		REVISION	R0
Dimensions in cm			
bladedShaft_128			
DWG NO.		A4	
SCALE:1:5		SHEET 1 OF 1	



Copyright 2014 Iowa State University of Science and Technology

Permission is granted to copy, reproduce, and distribute this seed cleaner design in any medium or format, provided that: you do not charge any fees, you include the copyright notice, and this statement appears on each copy of the design. The seed cleaner design is provided by ISU with NO WARRANTY. USERS AGREE TO ACCEPT THE SEED CLEANER DESIGN ON AN "AS IS" BASIS, WITHOUT WARRANTY OF ANY KIND, EXPRESSED OR IMPLIED. ISU SPECIFICALLY DISCLAIMS ANY IMPLIED WARRANTIES OF MERCHANTABILITY AND FITNESS FOR A PARTICULAR PURPOSE, AND THE ENTIRE RISK AS TO THE PERFORMANCE OF THE PRODUCT IS WITH THE USERS AND NOT ISU.

UNLESS OTHERWISE SPECIFIED:
 DIMENSIONS ARE IN MILLIMETERS
 SURFACE FINISH:
 TOLERANCES:
 LINEAR:
 ANGULAR:

FINISH:

DEBUR AND
 BREAK SHARP
 EDGES

DO NOT SCALE DRAWING

REVISION R0

Dimensions in cm

TITLE:

blower_122

DWG NO.

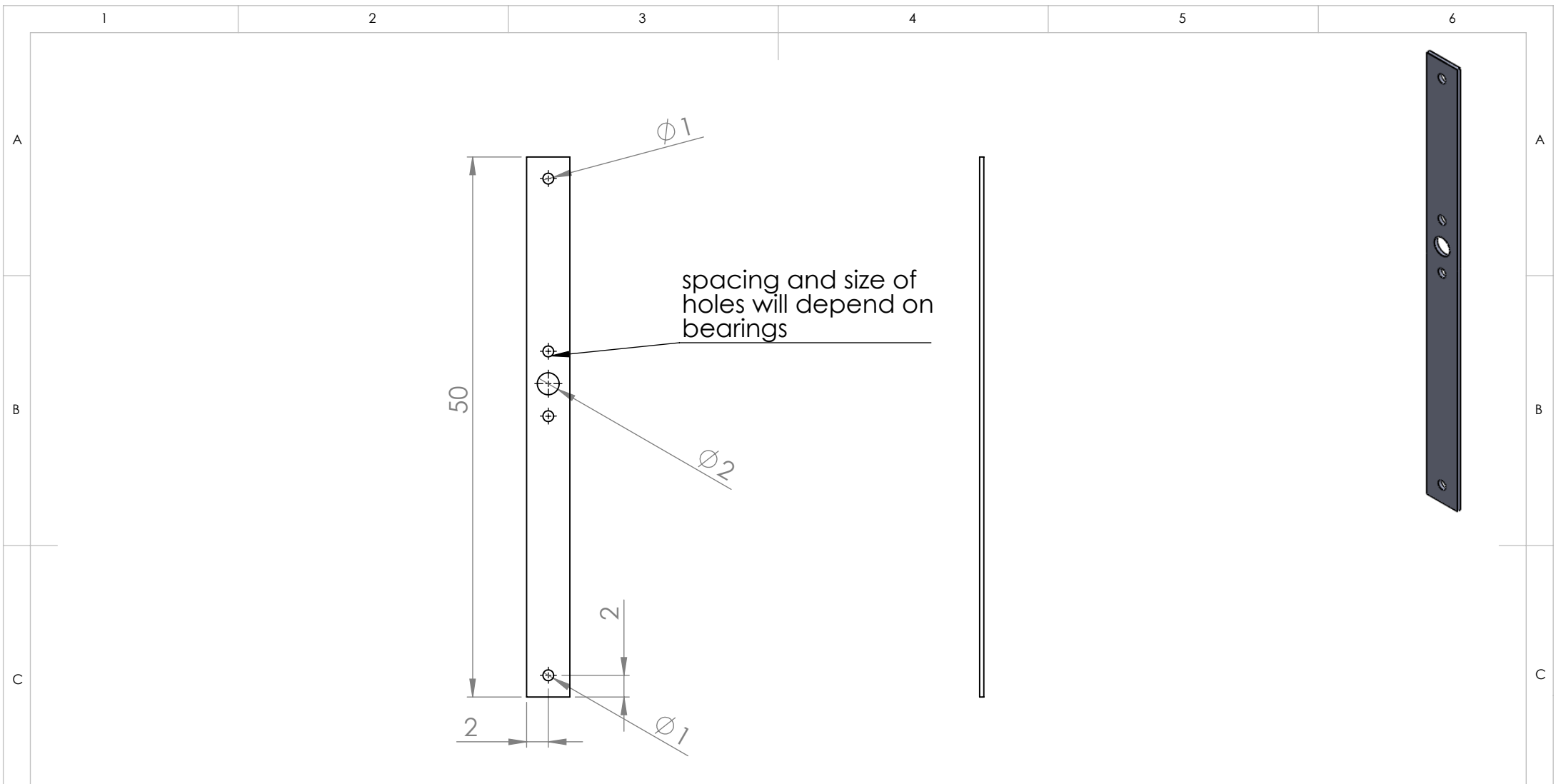
A4

MATERIAL:
 Sheet Metal

WEIGHT:

SCALE:1:10

SHEET 1 OF 1



Copyright 2014 Iowa State University of Science and Technology

Permission is granted to copy, reproduce, and distribute this seed cleaner design in any medium or format, provided that: you do not charge any fees, you include the copyright notice, and this statement appears on each copy of the design. The seed cleaner design is provided by ISU with NO WARRANTY. USERS AGREE TO ACCEPT THE SEED CLEANER DESIGN ON AN "AS IS" BASIS, WITHOUT WARRANTY OF ANY KIND, EXPRESSED OR IMPLIED. ISU SPECIFICALLY DISCLAIMS ANY IMPLIED WARRANTIES OF MERCHANTABILITY AND FITNESS FOR A PARTICULAR PURPOSE, AND THE ENTIRE RISK AS TO THE PERFORMANCE OF THE PRODUCT IS WITH THE USERS AND NOT ISU.

UNLESS OTHERWISE SPECIFIED:
 DIMENSIONS ARE IN MILLIMETERS
 SURFACE FINISH:
 TOLERANCES:
 LINEAR:
 ANGULAR:

FINISH:

 DEBUR AND
 BREAK SHARP
 EDGES

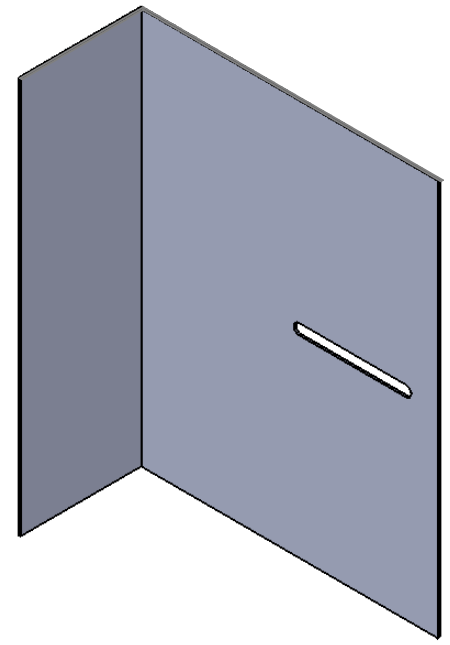
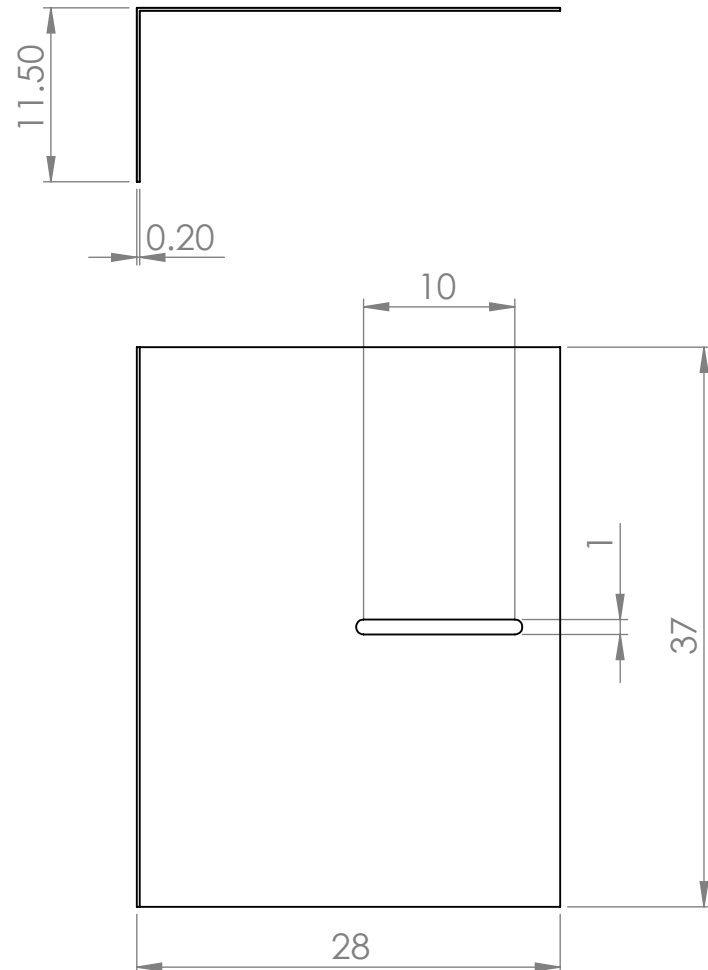
DO NOT SCALE DRAWING REVISION R0

Dimensions in cm

	NAME	SIGNATURE	DATE		
DRAWN	Anastacia MacAllister		09/13/14		
CHK'D					
APPV'D					
MFG					
Q.A					

TITLE:
crankShaftSupport_115

DWG NO. **A4**

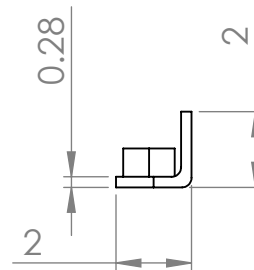
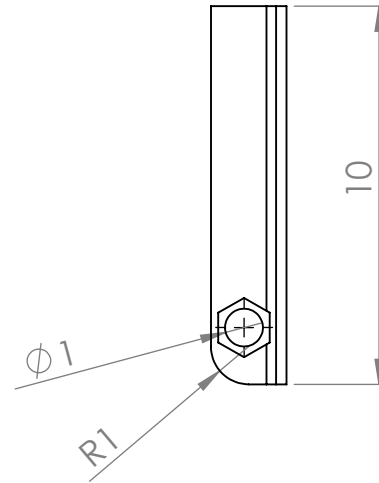
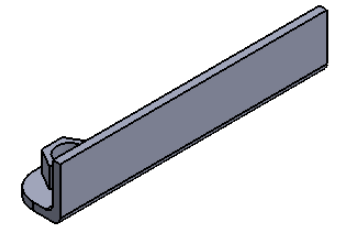


Copyright 2014 Iowa State University of Science and Technology

Permission is granted to copy, reproduce, and distribute this seed cleaner design in any medium or format, provided that: you do not charge any fees, you include the copyright notice, and this statement appears on each copy of the design. The seed cleaner design is provided by ISU with NO WARRANTY. USERS AGREE TO ACCEPT THE SEED CLEANER DESIGN ON AN "AS IS" BASIS, WITHOUT WARRANTY OF ANY KIND, EXPRESSED OR IMPLIED. ISU SPECIFICALLY DISCLAIMS ANY IMPLIED WARRANTIES OF MERCHANTABILITY AND FITNESS FOR A PARTICULAR PURPOSE, AND THE ENTIRE RISK AS TO THE PERFORMANCE OF THE PRODUCT IS WITH THE USERS AND NOT ISU.

UNLESS OTHERWISE SPECIFIED: DIMENSIONS ARE IN MILLIMETERS SURFACE FINISH: TOLERANCES: LINEAR: ANGULAR:				FINISH:		DEBUR AND BREAK SHARP EDGES	
	NAME	SIGNATURE	DATE				
DRAWN	Anastacia MacAllister		09/13/14				
CHK'D							
APPV'D							
MFG							
Q.A							
				MATERIAL: Sheet Metal			
				WEIGHT:			

DO NOT SCALE DRAWING		REVISION R0	
Dimensions in cm			
TITLE: deflectorPlate_117			
DWG NO.		A4	
SCALE:1:5		SHEET 1 OF 1	



Copyright 2014 Iowa State University of Science and Technology

Permission is granted to copy, reproduce, and distribute this seed cleaner design in any medium or format, provided that: you do not charge any fees, you include the copyright notice, and this statement appears on each copy of the design. The seed cleaner design is provided by ISU with NO WARRANTY. USERS AGREE TO ACCEPT THE SEED CLEANER DESIGN ON AN "AS IS" BASIS, WITHOUT WARRANTY OF ANY KIND, EXPRESSED OR IMPLIED. ISU SPECIFICALLY DISCLAIMS ANY IMPLIED WARRANTIES OF MERCHANTABILITY AND FITNESS FOR A PARTICULAR PURPOSE, AND THE ENTIRE RISK AS TO THE PERFORMANCE OF THE PRODUCT IS WITH THE USERS AND NOT ISU.

UNLESS OTHERWISE SPECIFIED:
 DIMENSIONS ARE IN MILLIMETERS
 SURFACE FINISH:
 TOLERANCES:
 LINEAR:
 ANGULAR:

FINISH:

DEBUR AND
 BREAK SHARP
 EDGES

DO NOT SCALE DRAWING

REVISION R0

Dimensions in cm

	NAME	SIGNATURE	DATE		
DRAWN	Anastacia MacAllister		09/13/14		
CHK'D					
APPV'D					
MFG					
Q.A					

TITLE:

deflectorPlateLock_111

MATERIAL:
 Angle Iron

DWG NO.

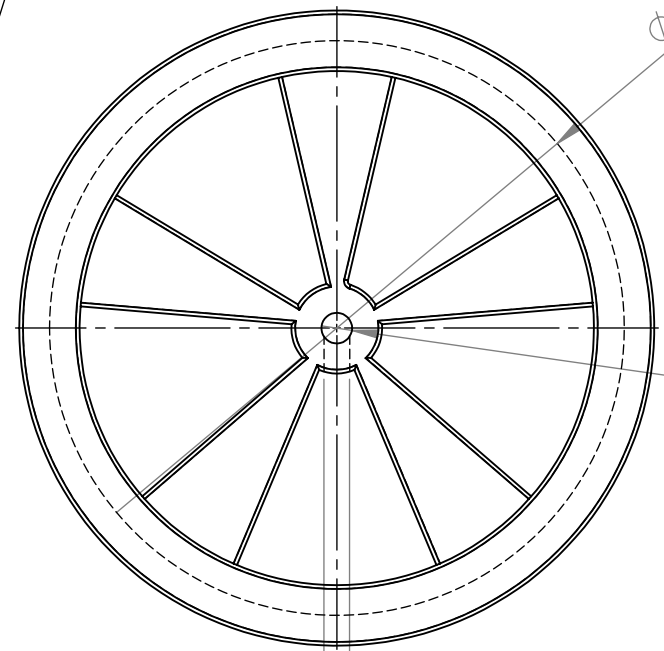
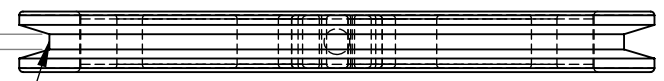
A4

WEIGHT:

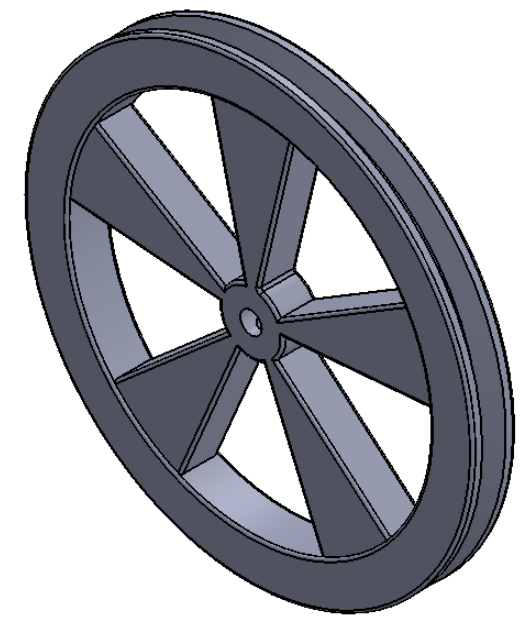
SCALE:1:2

SHEET 1 OF 1

Will depend on belt size



ϕ 1.70 - Depends on bolt size



UNLESS OTHERWISE SPECIFIED:
 DIMENSIONS ARE IN MILLIMETERS
 SURFACE FINISH:
 TOLERANCES:
 LINEAR:
 ANGULAR:

FINISH:

 DEBUR AND
 BREAK SHARP
 EDGES

DO NOT SCALE DRAWING REVISION R0

	NAME	SIGNATURE	DATE		
DRAWN	Anastacia MacAllister		09/13/14		
CHK'D					
APPV'D					
MFG					
Q.A					

Dimensions in cm

TITLE:
drivePully_126

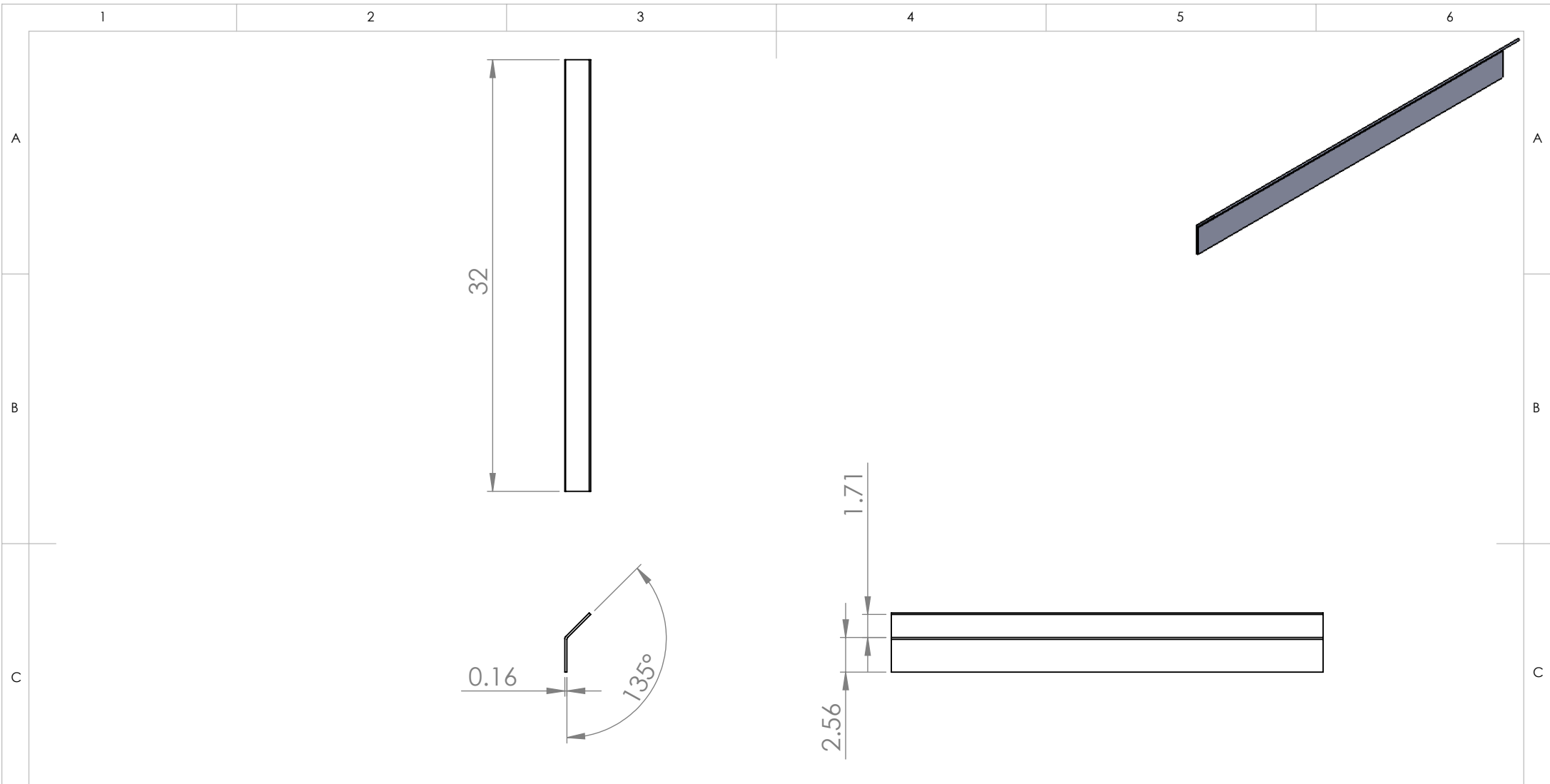
DWG NO. A4

WEIGHT:

SCALE:1:5 SHEET 1 OF 1

Copyright 2014 Iowa State University of Science and Technology

Permission is granted to copy, reproduce, and distribute this seed cleaner design in any medium or format, provided that: you do not charge any fees, you include the copyright notice, and this statement appears on each copy of the design. The seed cleaner design is provided by ISU with NO WARRANTY. USERS AGREE TO ACCEPT THE SEED CLEANER DESIGN ON AN "AS IS" BASIS, WITHOUT WARRANTY OF ANY KIND, EXPRESSED OR IMPLIED. ISU SPECIFICALLY DISCLAIMS ANY IMPLIED WARRANTIES OF MERCHANTABILITY AND FITNESS FOR A PARTICULAR PURPOSE, AND THE ENTIRE RISK AS TO THE PERFORMANCE OF THE PRODUCT IS WITH THE USERS AND NOT ISU.



Copyright 2014 Iowa State University of Science and Technology

Permission is granted to copy, reproduce, and distribute this seed cleaner design in any medium or format, provided that: you do not charge any fees, you include the copyright notice, and this statement appears on each copy of the design. The seed cleaner design is provided by ISU with NO WARRANTY. USERS AGREE TO ACCEPT THE SEED CLEANER DESIGN ON AN "AS IS" BASIS, WITHOUT WARRANTY OF ANY KIND, EXPRESSED OR IMPLIED. ISU SPECIFICALLY DISCLAIMS ANY IMPLIED WARRANTIES OF MERCHANTABILITY AND FITNESS FOR A PARTICULAR PURPOSE, AND THE ENTIRE RISK AS TO THE PERFORMANCE OF THE PRODUCT IS WITH THE USERS AND NOT ISU.

UNLESS OTHERWISE SPECIFIED: DIMENSIONS ARE IN MILLIMETERS SURFACE FINISH: TOLERANCES: LINEAR: ANGULAR:				FINISH:		DEBUR AND BREAK SHARP EDGES		DO NOT SCALE DRAWING		REVISION R0	
								Dimensions in cm			
								fanBlade_123			
DRAWN Anastacia MacAllister				SIGNATURE		DATE 09/13/14		TITLE:			
CHK'D											
APPV'D											
MFG											
Q.A						MATERIAL: Sheet Metal		DWG NO.		A4	
						WEIGHT:		SCALE:1:5		SHEET 1 OF 1	

1

2

3

4

5

6

A

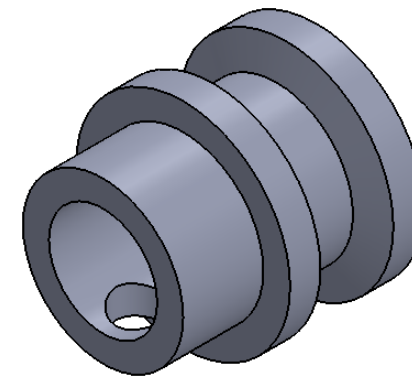
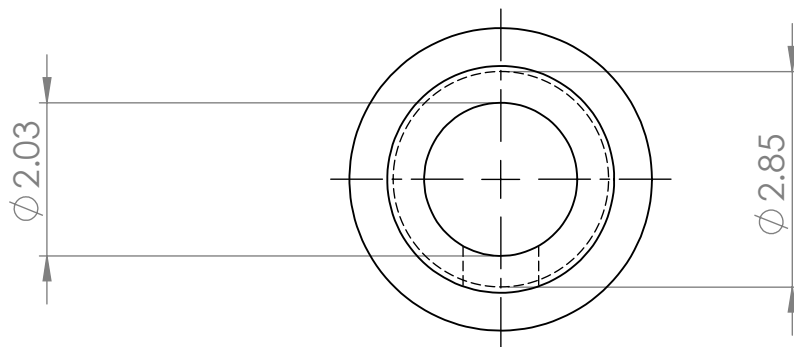
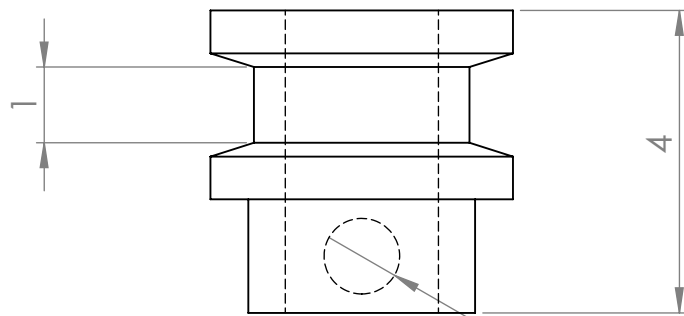
A

B

B

C

C



Copyright 2014 Iowa State University of Science and Technology

Permission is granted to copy, reproduce, and distribute this seed cleaner design in any medium or format, provided that: you do not charge any fees, you include the copyright notice, and this statement appears on each copy of the design. The seed cleaner design is provided by ISU with NO WARRANTY. USERS AGREE TO ACCEPT THE SEED CLEANER DESIGN ON AN "AS IS" BASIS, WITHOUT WARRANTY OF ANY KIND, EXPRESSED OR IMPLIED. ISU SPECIFICALLY DISCLAIMS ANY IMPLIED WARRANTIES OF MERCHANTABILITY AND FITNESS FOR A PARTICULAR PURPOSE, AND THE ENTIRE RISK AS TO THE PERFORMANCE OF THE PRODUCT IS WITH THE USERS AND NOT ISU.

UNLESS OTHERWISE SPECIFIED:
DIMENSIONS ARE IN MILLIMETERS
SURFACE FINISH:
TOLERANCES:
LINEAR:
ANGULAR:

FINISH:

DEBUR AND
BREAK SHARP
EDGES

DO NOT SCALE DRAWING

REVISION R0

Dimensions in cm

	NAME	SIGNATURE	DATE		
DRAWN	Anastacia MacAllister		09/13/14		
CHK'D					
APPV'D					
MFG					
Q.A					
				MATERIAL:	
				Cast Aluminum	
				WEIGHT:	

TITLE:

fanDrivePully_127

DWG NO.

A4

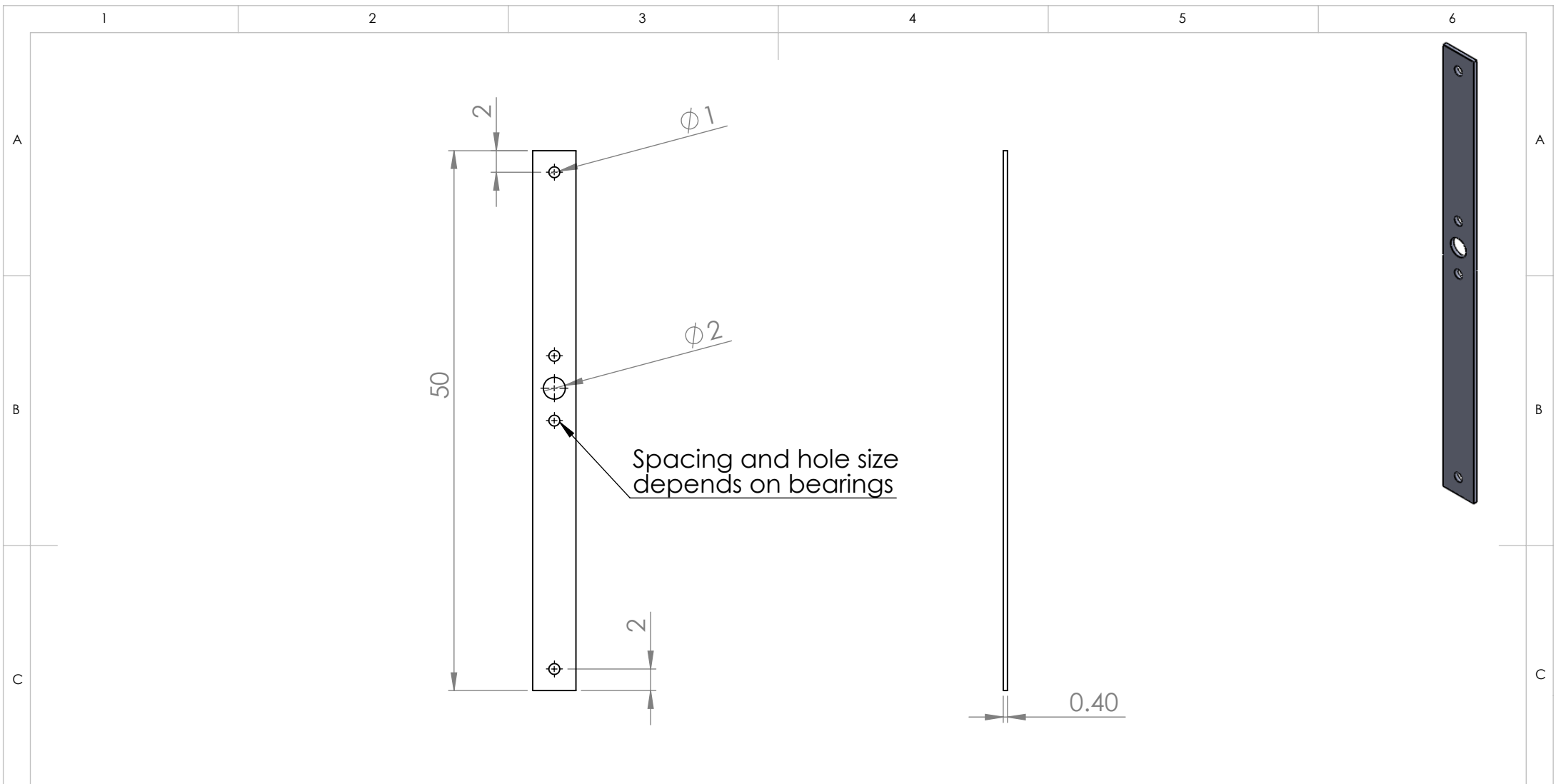
SCALE:1:1

SHEET 1 OF 1

1

2

D

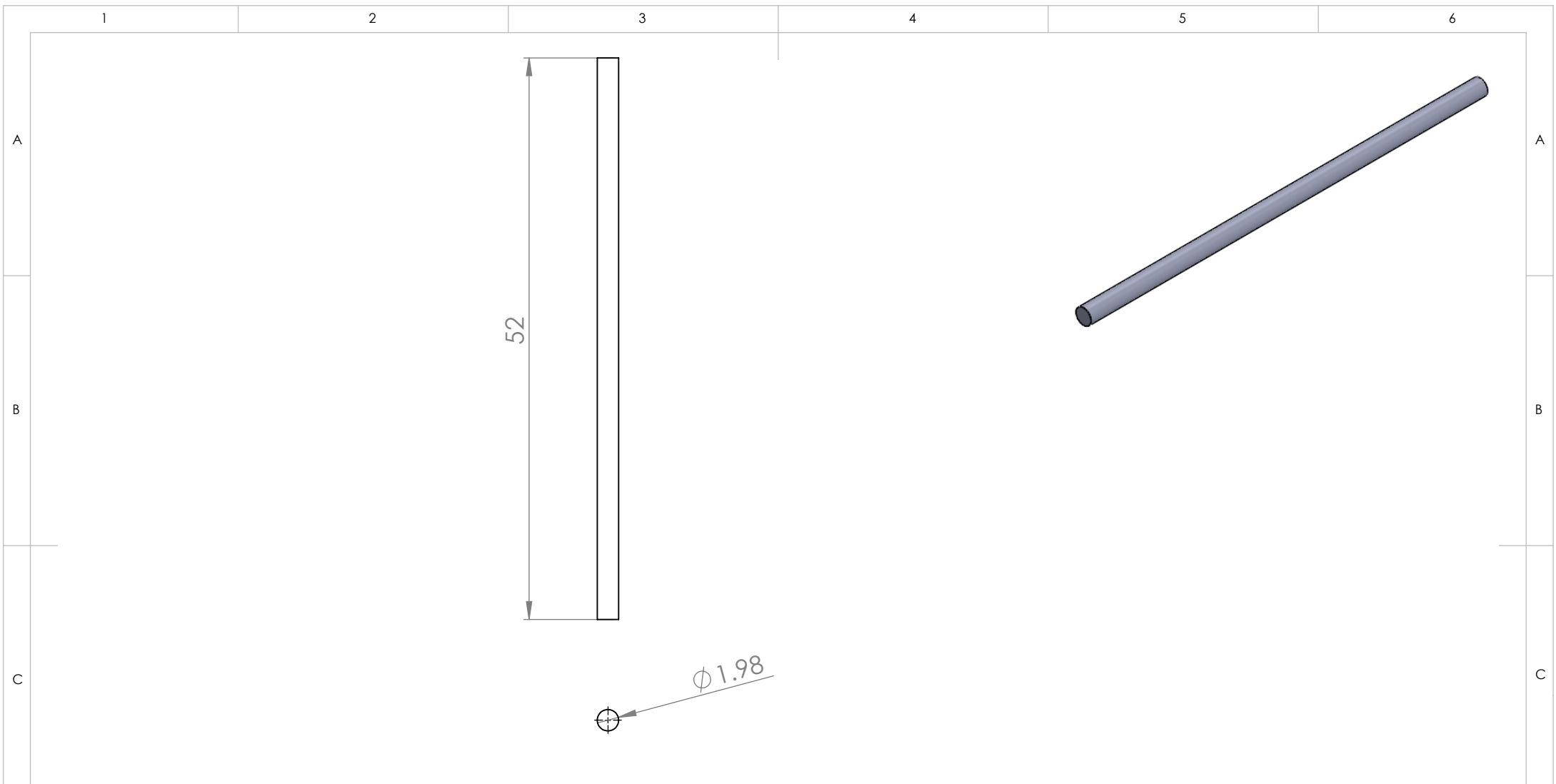


Copyright 2014 Iowa State University of Science and Technology

Permission is granted to copy, reproduce, and distribute this seed cleaner design in any medium or format, provided that: you do not charge any fees, you include the copyright notice, and this statement appears on each copy of the design. The seed cleaner design is provided by ISU with NO WARRANTY. USERS AGREE TO ACCEPT THE SEED CLEANER DESIGN ON AN "AS IS" BASIS, WITHOUT WARRANTY OF ANY KIND, EXPRESSED OR IMPLIED. ISU SPECIFICALLY DISCLAIMS ANY IMPLIED WARRANTIES OF MERCHANTABILITY AND FITNESS FOR A PARTICULAR PURPOSE, AND THE ENTIRE RISK AS TO THE PERFORMANCE OF THE PRODUCT IS WITH THE USERS AND NOT ISU.

UNLESS OTHERWISE SPECIFIED: DIMENSIONS ARE IN MILLIMETERS SURFACE FINISH: TOLERANCES: LINEAR: ANGULAR:				FINISH:		DEBUR AND BREAK SHARP EDGES	
	NAME	SIGNATURE	DATE				
DRAWN	Anastacia MacAllister		09/13/14				
CHK'D							
APPV'D							
MFG							
Q.A				MATERIAL:			
				Steel			
				WEIGHT:			

DO NOT SCALE DRAWING		REVISION R0	
<h1>Dimensions in cm</h1>			
TITLE: <h2>fanDriveShaftSupport_114</h2>			
DWG NO.		A4	
SCALE:1:5		SHEET 1 OF 1	

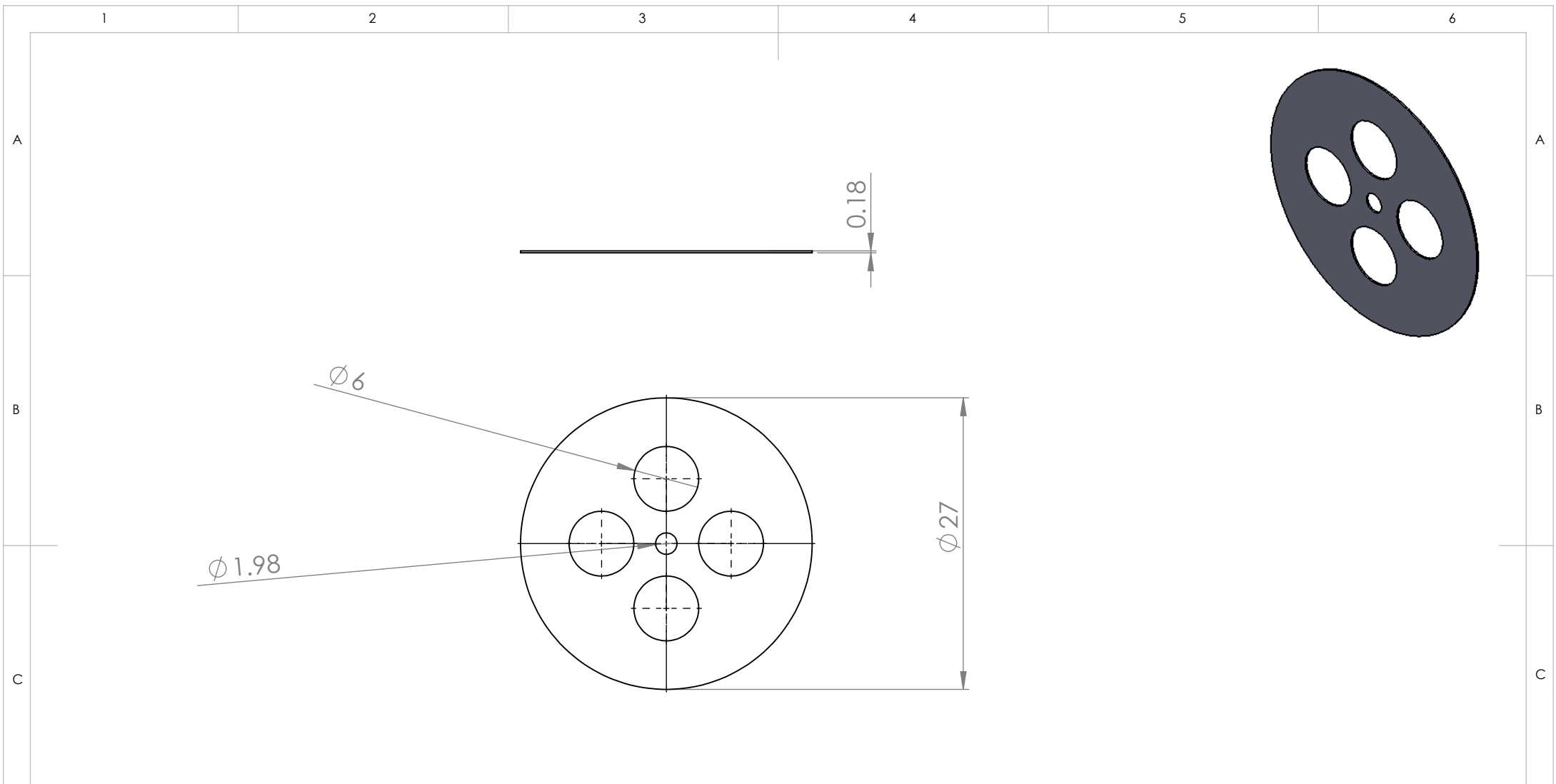


Copyright 2014 Iowa State University of Science and Technology

Permission is granted to copy, reproduce, and distribute this seed cleaner design in any medium or format, provided that: you do not charge any fees, you include the copyright notice, and this statement appears on each copy of the design. The seed cleaner design is provided by ISU with NO WARRANTY. USERS AGREE TO ACCEPT THE SEED CLEANER DESIGN ON AN "AS IS" BASIS, WITHOUT WARRANTY OF ANY KIND, EXPRESSED OR IMPLIED. ISU SPECIFICALLY DISCLAIMS ANY IMPLIED WARRANTIES OF MERCHANTABILITY AND FITNESS FOR A PARTICULAR PURPOSE, AND THE ENTIRE RISK AS TO THE PERFORMANCE OF THE PRODUCT IS WITH THE USERS AND NOT ISU.

UNLESS OTHERWISE SPECIFIED: DIMENSIONS ARE IN MILLIMETERS SURFACE FINISH: TOLERANCES: LINEAR: ANGULAR:				FINISH:		DEBUR AND BREAK SHARP EDGES	
NAME	SIGNATURE	DATE					
DRAWN Anastacia MacAllister		09/13/14					
CHK'D							
APPV'D							
MFG							
Q.A							
				MATERIAL: Round Bar			
				WEIGHT:			

DO NOT SCALE DRAWING		REVISION R0	
Dimensions in cm			
fanShaft_125			
DWG NO.		A4	
SCALE:1:5		SHEET 1 OF 1	

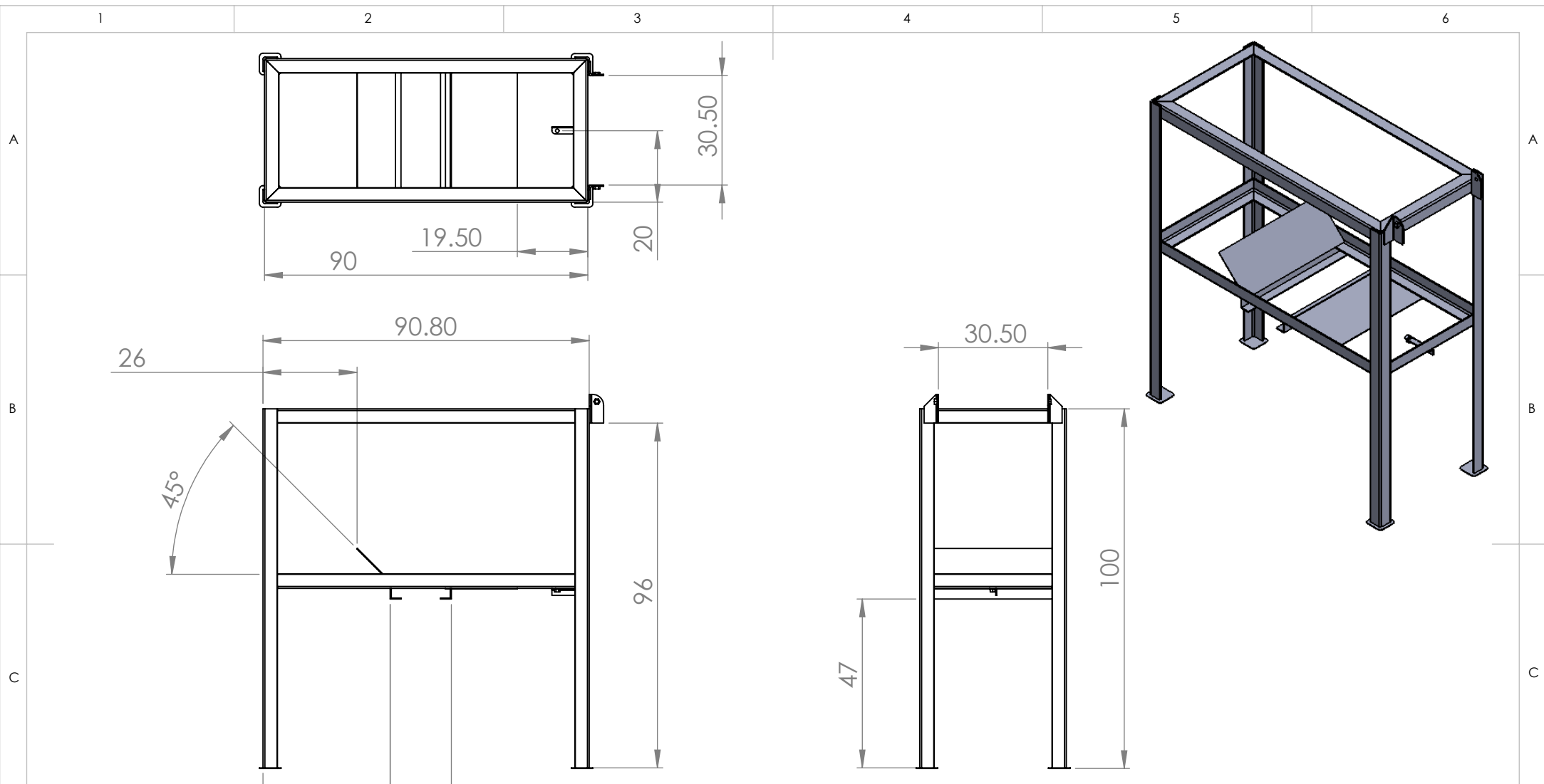


Copyright 2014 Iowa State University of Science and Technology

Permission is granted to copy, reproduce, and distribute this seed cleaner design in any medium or format, provided that: you do not charge any fees, you include the copyright notice, and this statement appears on each copy of the design. The seed cleaner design is provided by ISU with NO WARRANTY. USERS AGREE TO ACCEPT THE SEED CLEANER DESIGN ON AN "AS IS" BASIS, WITHOUT WARRANTY OF ANY KIND, EXPRESSED OR IMPLIED. ISU SPECIFICALLY DISCLAIMS ANY IMPLIED WARRANTIES OF MERCHANTABILITY AND FITNESS FOR A PARTICULAR PURPOSE, AND THE ENTIRE RISK AS TO THE PERFORMANCE OF THE PRODUCT IS WITH THE USERS AND NOT ISU.

UNLESS OTHERWISE SPECIFIED: DIMENSIONS ARE IN MILLIMETERS SURFACE FINISH: TOLERANCES: LINEAR: ANGULAR:				FINISH:		DEBUR AND BREAK SHARP EDGES	
	NAME	SIGNATURE	DATE				
DRAWN	Anastacia MacAllister		09/13/14				
CHK'D							
APPV'D							
MFG							
Q.A				MATERIAL: Sheet Metal			
				WEIGHT:			

DO NOT SCALE DRAWING		REVISION R0	
Dimensions in cm			
fanSide_124			
DWG NO.		A4	
SCALE:1:5		SHEET 1 OF 1	



Copyright 2014 Iowa State University of Science and Technology

Permission is granted to copy, reproduce, and distribute this seed cleaner design in any medium or format, provided that: you do not charge any fees, you include the copyright notice, and this statement appears on each copy of the design. The seed cleaner design is provided by ISU with NO WARRANTY. USERS AGREE TO ACCEPT THE SEED CLEANER DESIGN ON AN "AS IS" BASIS, WITHOUT WARRANTY OF ANY KIND, EXPRESSED OR IMPLIED. ISU SPECIFICALLY DISCLAIMS ANY IMPLIED WARRANTIES OF MERCHANTABILITY AND FITNESS FOR A PARTICULAR PURPOSE, AND THE ENTIRE RISK AS TO THE PERFORMANCE OF THE PRODUCT IS WITH THE USERS AND NOT ISU.

UNLESS OTHERWISE SPECIFIED:
 DIMENSIONS ARE IN MILLIMETERS
 SURFACE FINISH:
 TOLERANCES:
 LINEAR:
 ANGULAR:

FINISH:

 DEBUR AND
 BREAK SHARP
 EDGES

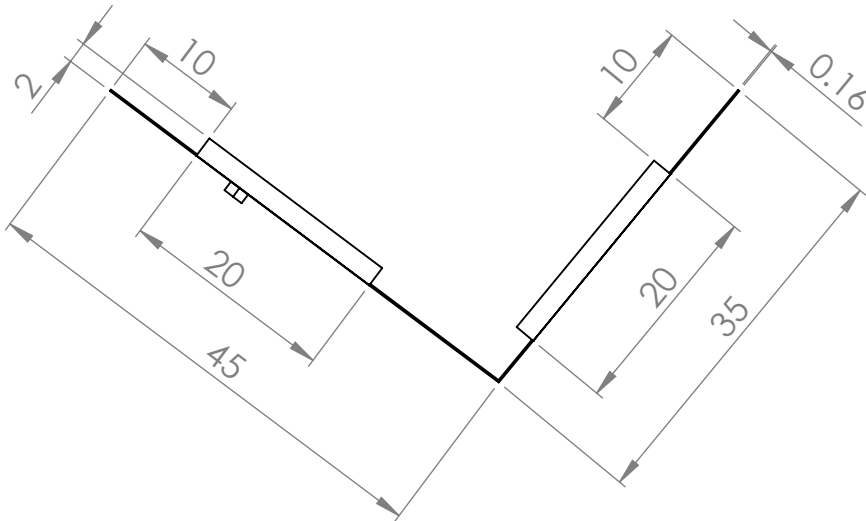
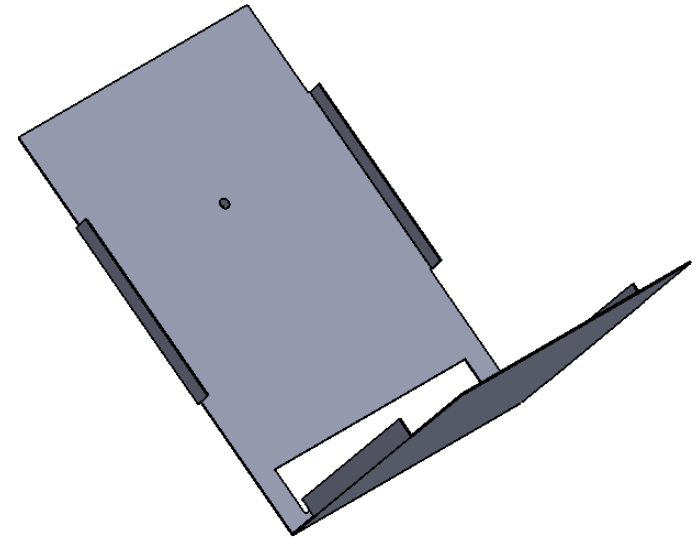
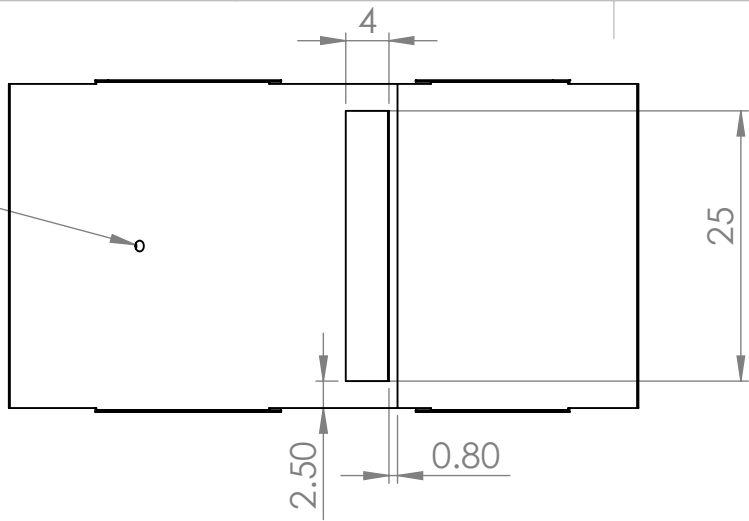
DO NOT SCALE DRAWING REVISION R0

Dimensions in cm

	NAME	SIGNATURE	DATE		
DRAWN	Anastacia MacAllister		09/13/14		
CHK'D					
APPV'D					
MFG					
Q.A				MATERIAL:	
				WEIGHT:	

TITLE: frameAssembly_112	
DWG NO.	A4
SCALE:1:20	SHEET 1 OF 1

TRUE R0.50



Copyright 2014 Iowa State University of Science and Technology

Permission is granted to copy, reproduce, and distribute this seed cleaner design in any medium or format, provided that: you do not charge any fees, you include the copyright notice, and this statement appears on each copy of the design. The seed cleaner design is provided by ISU with NO WARRANTY. USERS AGREE TO ACCEPT THE SEED CLEANER DESIGN ON AN "AS IS" BASIS, WITHOUT WARRANTY OF ANY KIND, EXPRESSED OR IMPLIED. ISU SPECIFICALLY DISCLAIMS ANY IMPLIED WARRANTIES OF MERCHANTABILITY AND FITNESS FOR A PARTICULAR PURPOSE, AND THE ENTIRE RISK AS TO THE PERFORMANCE OF THE PRODUCT IS WITH THE USERS AND NOT ISU.

UNLESS OTHERWISE SPECIFIED:
 DIMENSIONS ARE IN MILLIMETERS
 SURFACE FINISH:
 TOLERANCES:
 LINEAR:
 ANGULAR:

FINISH:

DEBUR AND
 BREAK SHARP
 EDGES

DO NOT SCALE DRAWING

REVISION R0

Dimensions in cm

TITLE:

hopperBottom_120

DWG NO.

A4

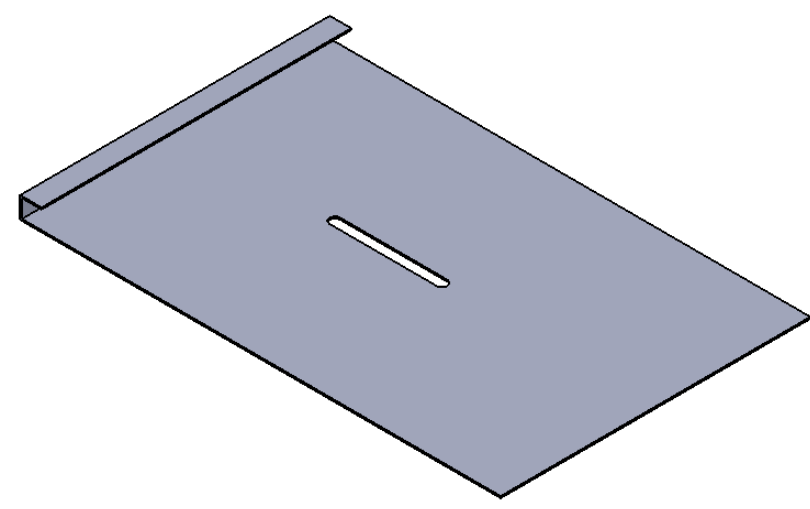
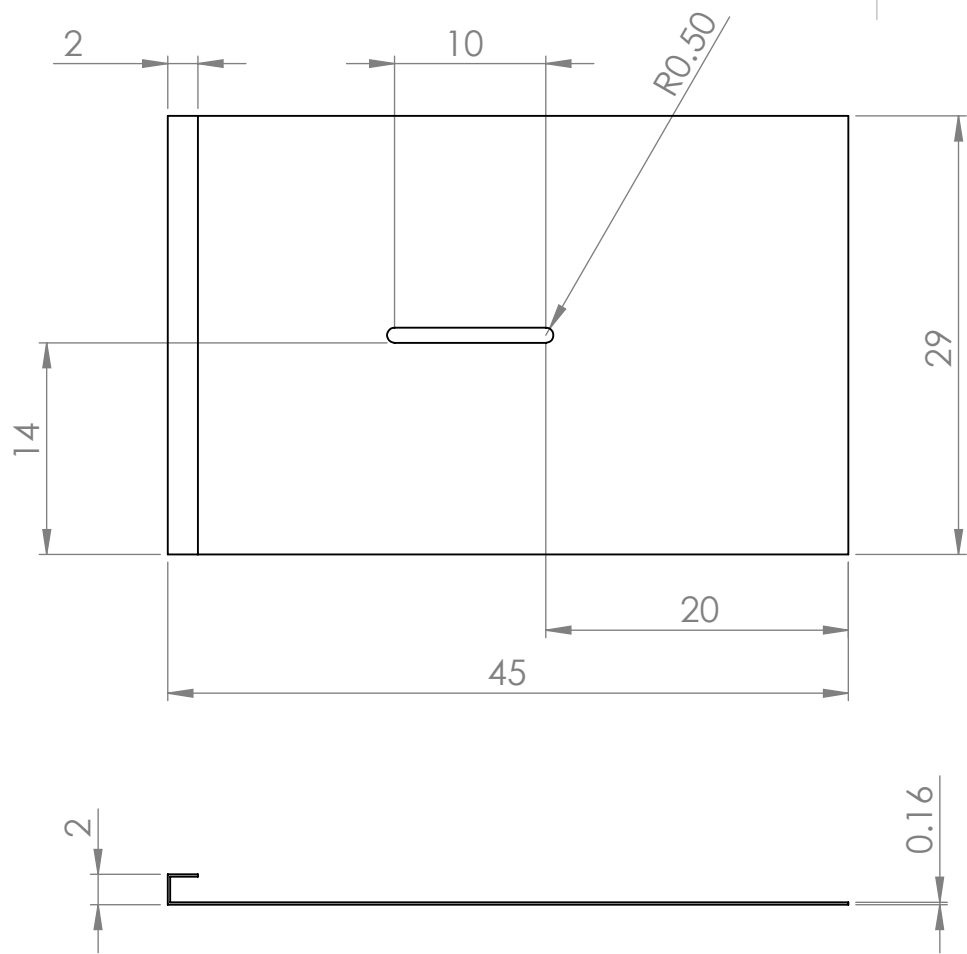
MATERIAL:

Sheet Metal

WEIGHT:

SCALE:1:10

SHEET 1 OF 1

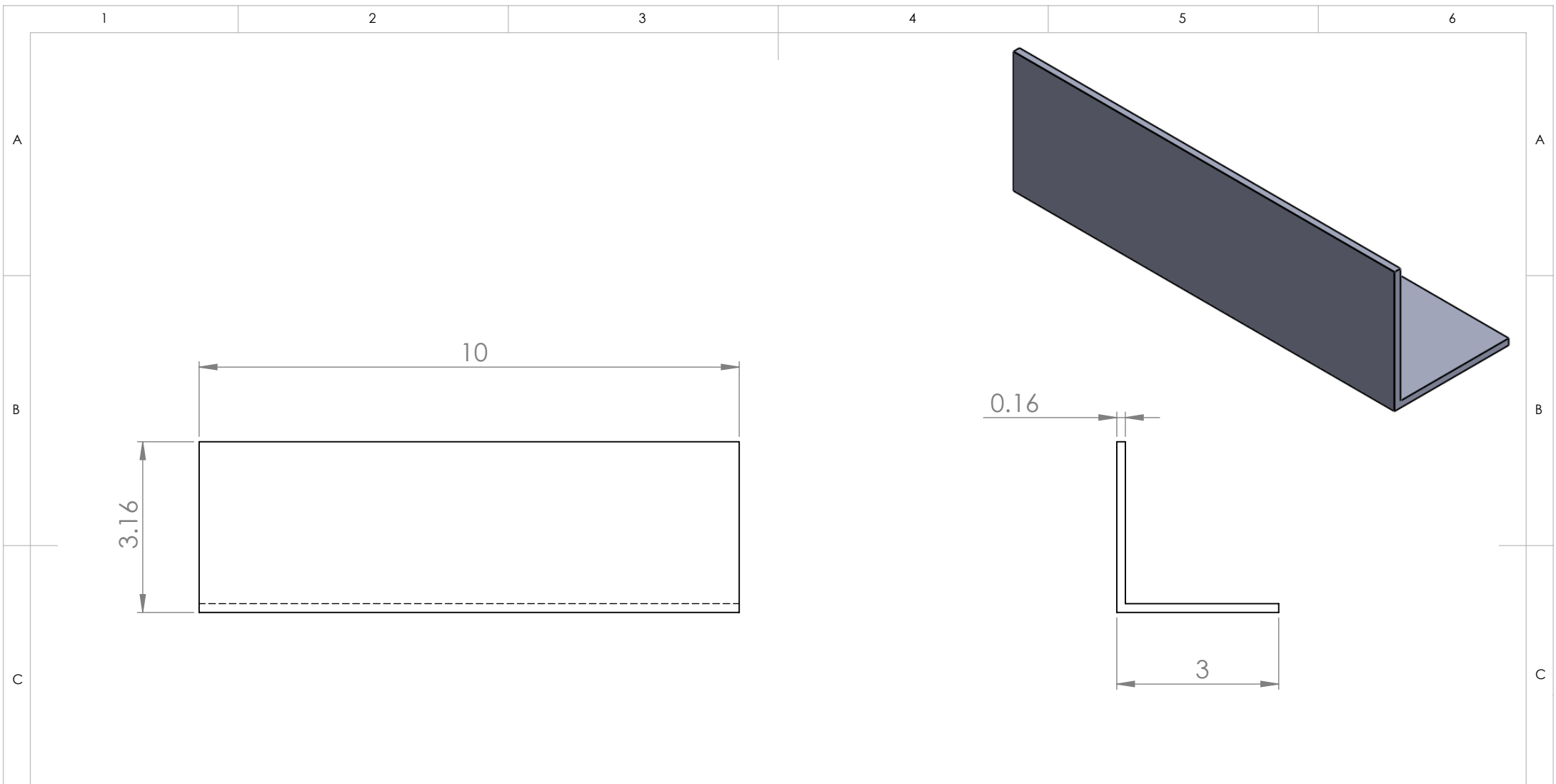


Copyright 2014 Iowa State University of Science and Technology

Permission is granted to copy, reproduce, and distribute this seed cleaner design in any medium or format, provided that: you do not charge any fees, you include the copyright notice, and this statement appears on each copy of the design. The seed cleaner design is provided by ISU with NO WARRANTY. USERS AGREE TO ACCEPT THE SEED CLEANER DESIGN ON AN "AS IS" BASIS, WITHOUT WARRANTY OF ANY KIND, EXPRESSED OR IMPLIED. ISU SPECIFICALLY DISCLAIMS ANY IMPLIED WARRANTIES OF MERCHANTABILITY AND FITNESS FOR A PARTICULAR PURPOSE, AND THE ENTIRE RISK AS TO THE PERFORMANCE OF THE PRODUCT IS WITH THE USERS AND NOT ISU.

UNLESS OTHERWISE SPECIFIED: DIMENSIONS ARE IN MILLIMETERS SURFACE FINISH: TOLERANCES: LINEAR: ANGULAR:				FINISH:		DEBUR AND BREAK SHARP EDGES	
	NAME	SIGNATURE	DATE				
DRAWN	Anastacia MacAllister		09/13/14				
CHK'D							
APPV'D							
MFG							
Q.A							
				MATERIAL: Sheet Metal			
				WEIGHT:			

DO NOT SCALE DRAWING		REVISION	R0
Dimensions in cm			
hopperGate_121			
DWG NO.		A4	
SCALE:1:5		SHEET 1 OF 1	

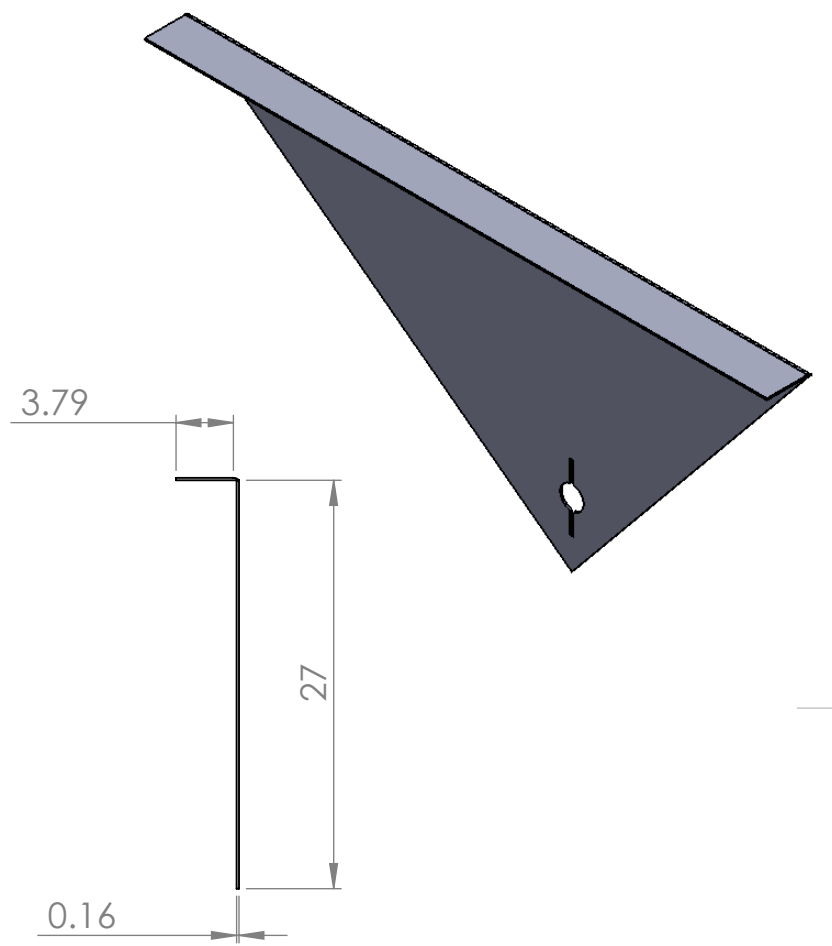
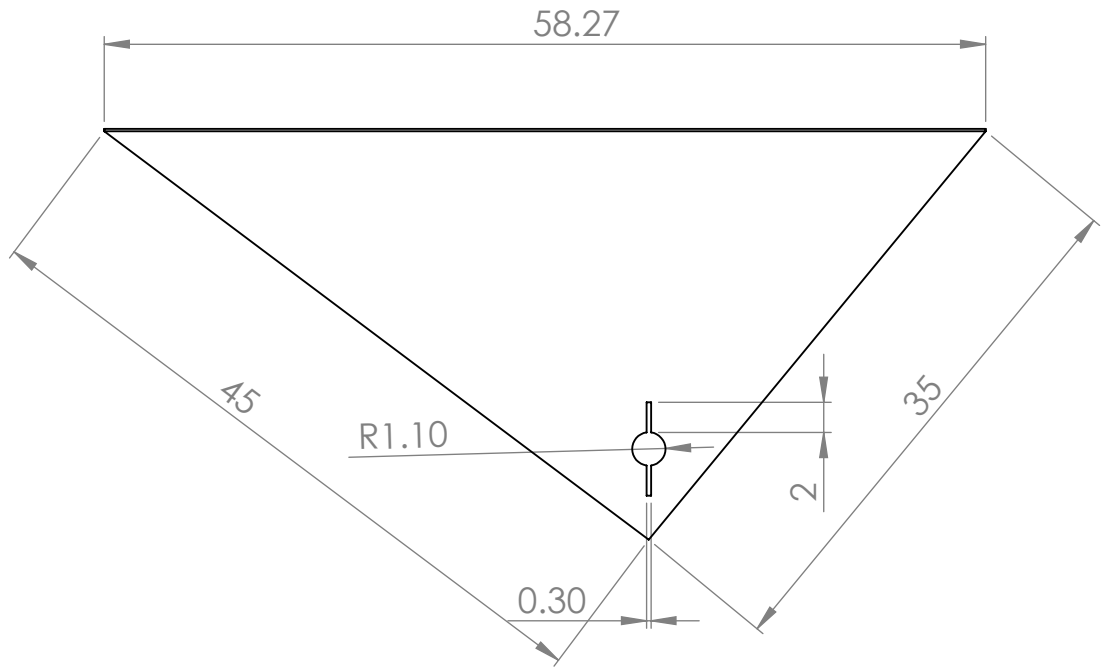


Copyright 2014 Iowa State University of Science and Technology

Permission is granted to copy, reproduce, and distribute this seed cleaner design in any medium or format, provided that: you do not charge any fees, you include the copyright notice, and this statement appears on each copy of the design. The seed cleaner design is provided by ISU with NO WARRANTY. USERS AGREE TO ACCEPT THE SEED CLEANER DESIGN ON AN "AS IS" BASIS, WITHOUT WARRANTY OF ANY KIND, EXPRESSED OR IMPLIED. ISU SPECIFICALLY DISCLAIMS ANY IMPLIED WARRANTIES OF MERCHANTABILITY AND FITNESS FOR A PARTICULAR PURPOSE, AND THE ENTIRE RISK AS TO THE PERFORMANCE OF THE PRODUCT IS WITH THE USERS AND NOT ISU.

UNLESS OTHERWISE SPECIFIED: DIMENSIONS ARE IN MILLIMETERS SURFACE FINISH: TOLERANCES: LINEAR: ANGULAR:		FINISH:		DEBUR AND BREAK SHARP EDGES	
	NAME	SIGNATURE	DATE		
DRAWN	Anastacia MacAllister		09/13/14		
CHK'D					
APPV'D					
MFG					
Q.A				MATERIAL:	
				Sheet Metal	
				WEIGHT:	

DO NOT SCALE DRAWING		REVISION	R0
Dimensions in cm			
TITLE: hopperGateGuide_136			
DWG NO.		A4	
SCALE:1:1		SHEET 1 OF 1	



Copyright 2014 Iowa State University of Science and Technology

Permission is granted to copy, reproduce, and distribute this seed cleaner design in any medium or format, provided that: you do not charge any fees, you include the copyright notice, and this statement appears on each copy of the design. The seed cleaner design is provided by ISU with NO WARRANTY. USERS AGREE TO ACCEPT THE SEED CLEANER DESIGN ON AN "AS IS" BASIS, WITHOUT WARRANTY OF ANY KIND, EXPRESSED OR IMPLIED. ISU SPECIFICALLY DISCLAIMS ANY IMPLIED WARRANTIES OF MERCHANTABILITY AND FITNESS FOR A PARTICULAR PURPOSE, AND THE ENTIRE RISK AS TO THE PERFORMANCE OF THE PRODUCT IS WITH THE USERS AND NOT ISU.

UNLESS OTHERWISE SPECIFIED:
 DIMENSIONS ARE IN MILLIMETERS
 SURFACE FINISH:
 TOLERANCES:
 LINEAR:
 ANGULAR:

FINISH:

 DEBUR AND
 BREAK SHARP
 EDGES

DO NOT SCALE DRAWING REVISION R0

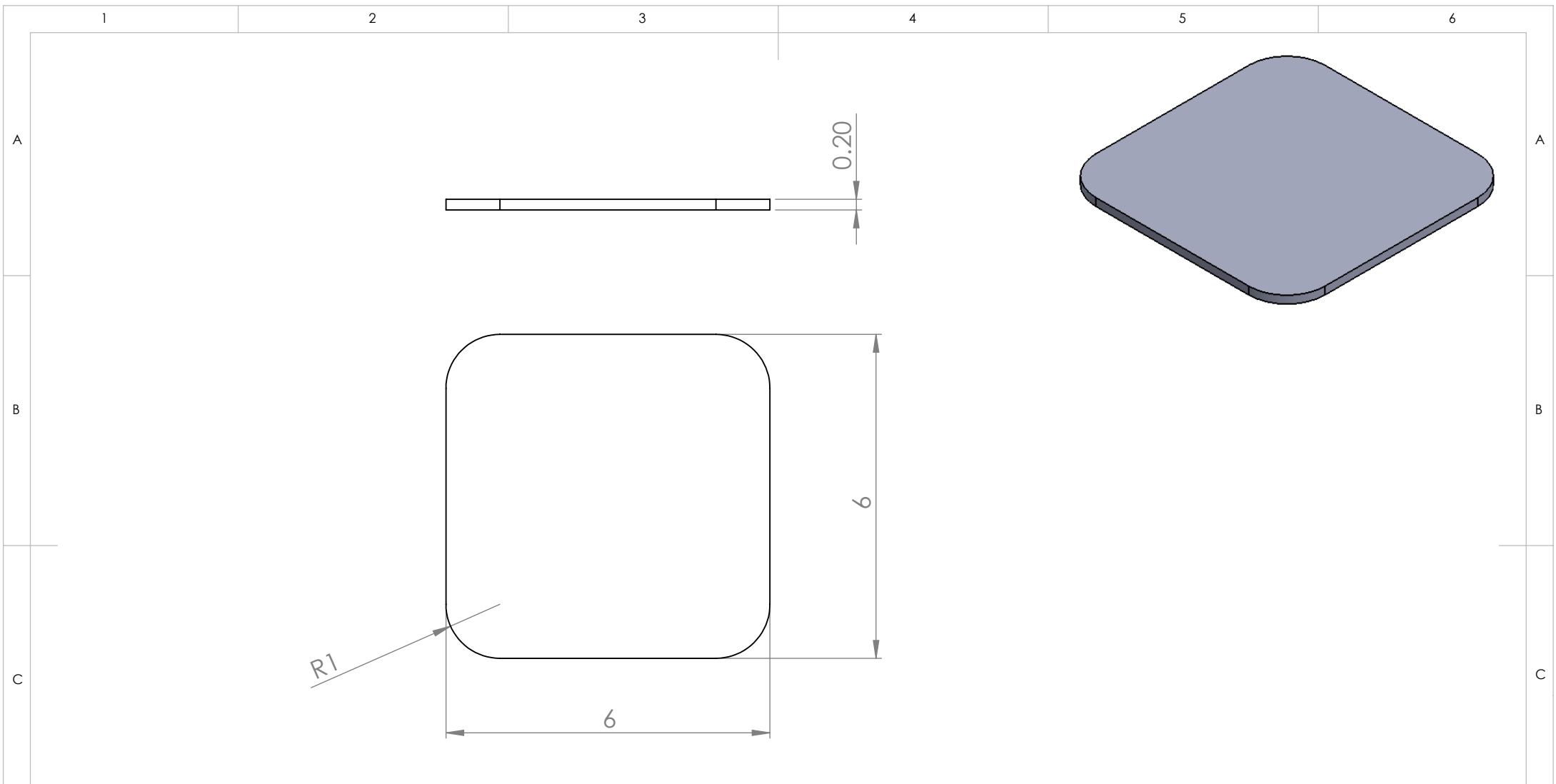
Dimensions in cm

	NAME	SIGNATURE	DATE		
DRAWN	Anastacia MacAllister				
CHK'D					
APPV'D					
MFG					
Q.A					

TITLE:
leftHopperSide_119

DWG NO. A4

WEIGHT: SCALE:1:5 SHEET 1 OF 1

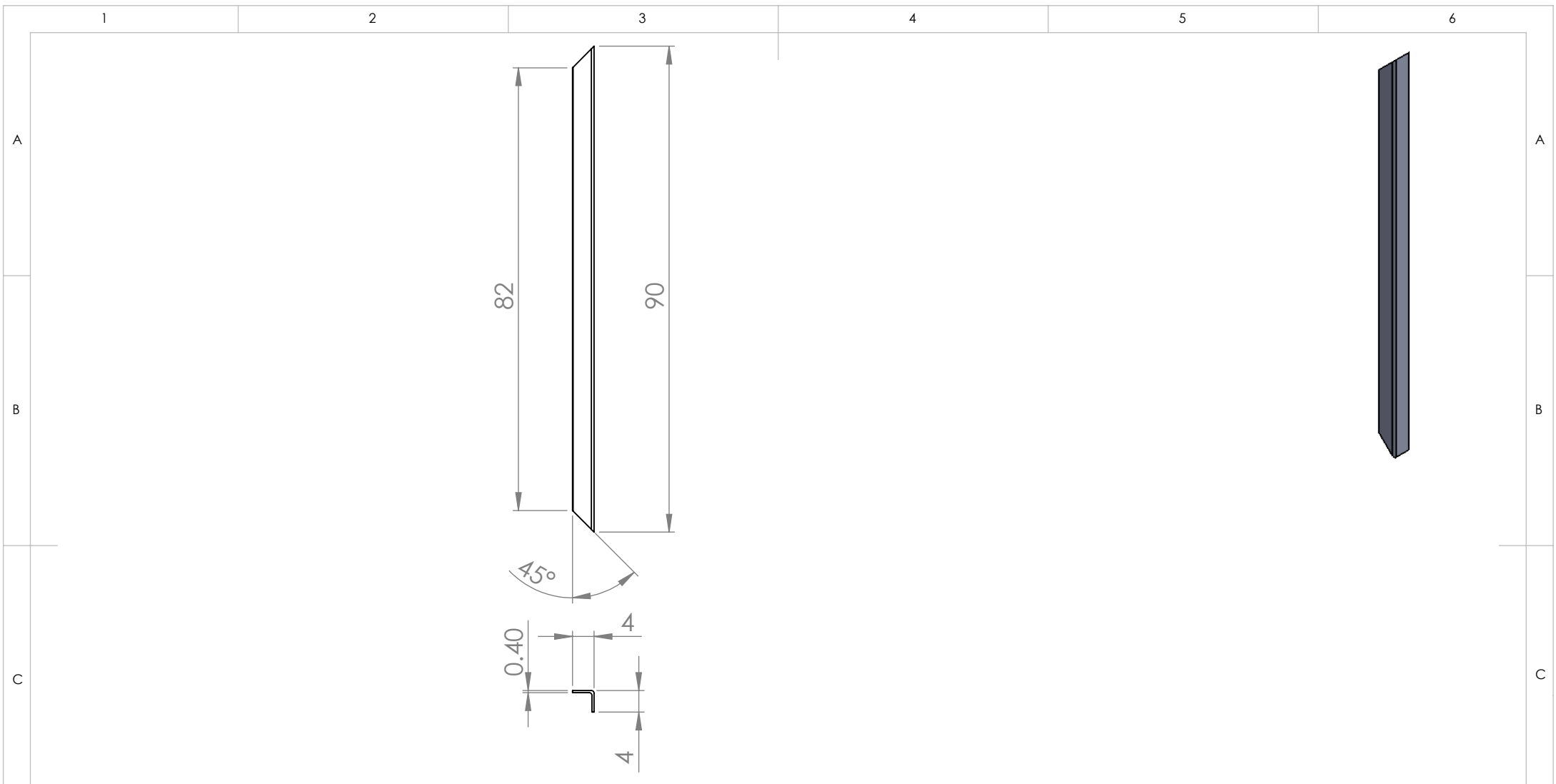


Copyright 2014 Iowa State University of Science and Technology

Permission is granted to copy, reproduce, and distribute this seed cleaner design in any medium or format, provided that: you do not charge any fees, you include the copyright notice, and this statement appears on each copy of the design. The seed cleaner design is provided by ISU with NO WARRANTY. USERS AGREE TO ACCEPT THE SEED CLEANER DESIGN ON AN "AS IS" BASIS, WITHOUT WARRANTY OF ANY KIND, EXPRESSED OR IMPLIED. ISU SPECIFICALLY DISCLAIMS ANY IMPLIED WARRANTIES OF MERCHANTABILITY AND FITNESS FOR A PARTICULAR PURPOSE, AND THE ENTIRE RISK AS TO THE PERFORMANCE OF THE PRODUCT IS WITH THE USERS AND NOT ISU.

UNLESS OTHERWISE SPECIFIED: DIMENSIONS ARE IN MILLIMETERS SURFACE FINISH: TOLERANCES: LINEAR: ANGULAR:		FINISH:		DEBUR AND BREAK SHARP EDGES	
	NAME	SIGNATURE	DATE		
DRAWN	Anastacia MacAllister		09/12/14		
CHK'D					
APPV'D					
MFG					
Q.A				MATERIAL:	
				Sheet Metal	
				WEIGHT:	

DO NOT SCALE DRAWING		REVISION	R0
Dimensions in cm			
legCap_103			
DWG NO.		A4	
SCALE:1:1		SHEET 1 OF 1	



Copyright 2014 Iowa State University of Science and Technology

Permission is granted to copy, reproduce, and distribute this seed cleaner design in any medium or format, provided that: you do not charge any fees, you include the copyright notice, and this statement appears on each copy of the design. The seed cleaner design is provided by ISU with NO WARRANTY. USERS AGREE TO ACCEPT THE SEED CLEANER DESIGN ON AN "AS IS" BASIS, WITHOUT WARRANTY OF ANY KIND, EXPRESSED OR IMPLIED. ISU SPECIFICALLY DISCLAIMS ANY IMPLIED WARRANTIES OF MERCHANTABILITY AND FITNESS FOR A PARTICULAR PURPOSE, AND THE ENTIRE RISK AS TO THE PERFORMANCE OF THE PRODUCT IS WITH THE USERS AND NOT ISU.

UNLESS OTHERWISE SPECIFIED:
 DIMENSIONS ARE IN MILLIMETERS
 SURFACE FINISH:
 TOLERANCES:
 LINEAR:
 ANGULAR:

FINISH:

 DEBUR AND
 BREAK SHARP
 EDGES

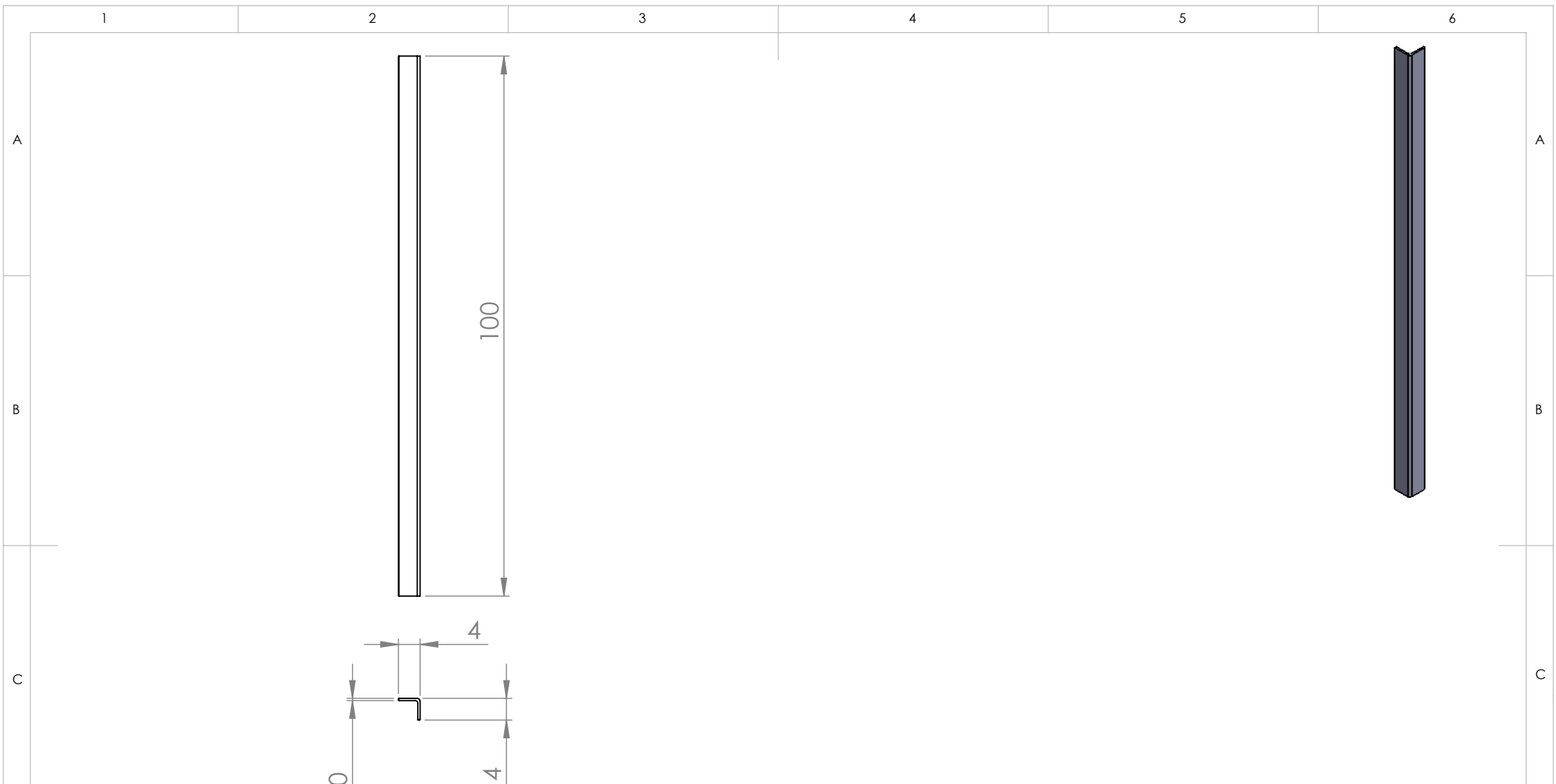
DO NOT SCALE DRAWING REVISION R0

Dimensions in cm

	NAME	SIGNATURE	DATE		
DRAWN	Anastacia MacAllister		09/12/14		
CHK'D					
APPV'D					
MFG					
Q.A					

TITLE:
longSideSupport_101

DWG NO. A4



Copyright 2014 Iowa State University of Science and Technology

Permission is granted to copy, reproduce, and distribute this seed cleaner design in any medium or format, provided that: you do not charge any fees, you include the copyright notice, and this statement appears on each copy of the design. The seed cleaner design is provided by ISU with NO WARRANTY. USERS AGREE TO ACCEPT THE SEED CLEANER DESIGN ON AN "AS IS" BASIS, WITHOUT WARRANTY OF ANY KIND, EXPRESSED OR IMPLIED. ISU SPECIFICALLY DISCLAIMS ANY IMPLIED WARRANTIES OF MERCHANTABILITY AND FITNESS FOR A PARTICULAR PURPOSE, AND THE ENTIRE RISK AS TO THE PERFORMANCE OF THE PRODUCT IS WITH THE USERS AND NOT ISU.

UNLESS OTHERWISE SPECIFIED:
 DIMENSIONS ARE IN MILLIMETERS
 SURFACE FINISH:
 TOLERANCES:
 LINEAR:
 ANGULAR:

FINISH:

 DEBUR AND
 BREAK SHARP
 EDGES

DO NOT SCALE DRAWING REVISION R0

Dimensions in cm

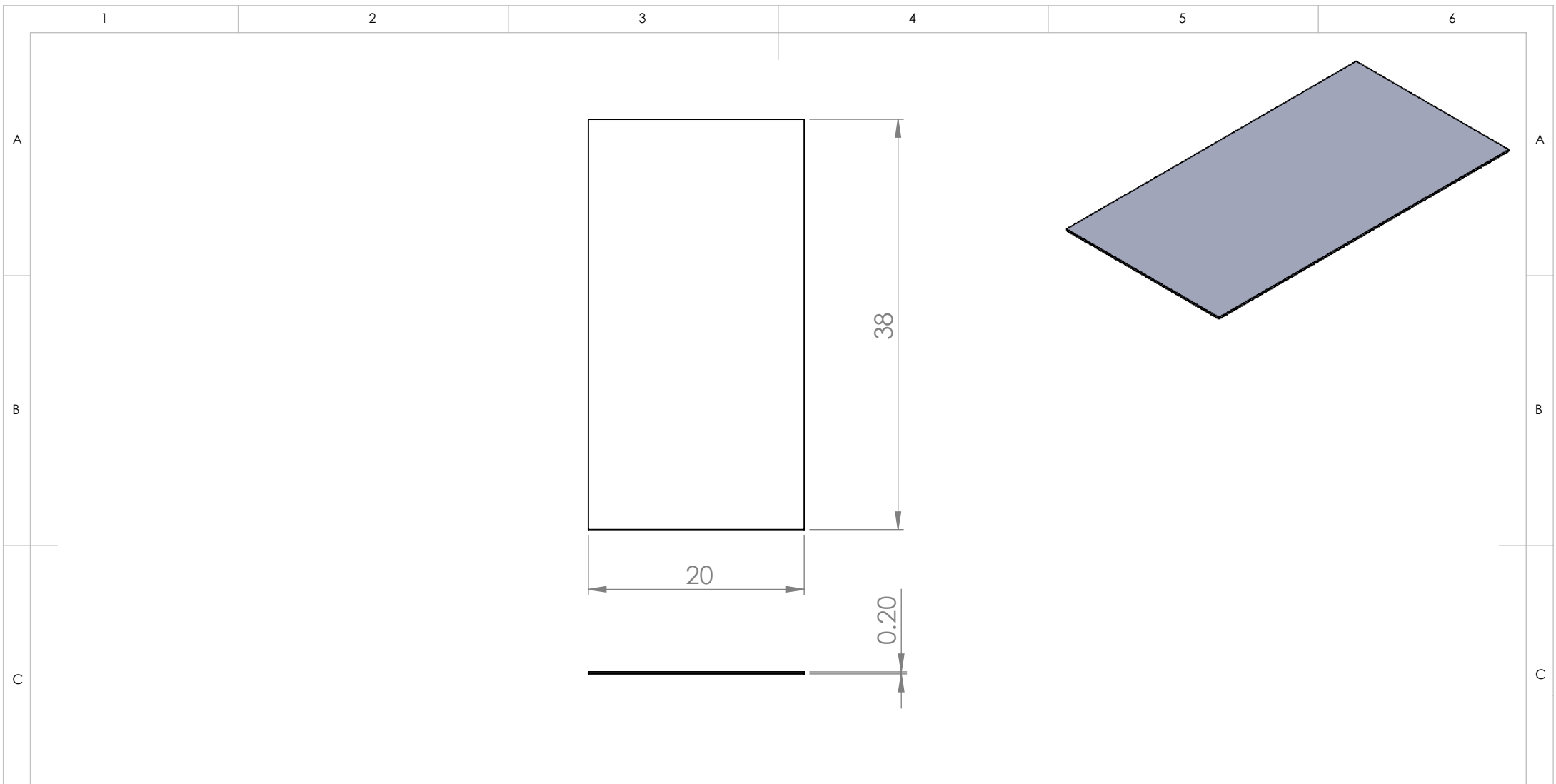
	NAME	SIGNATURE	DATE		
DRAWN	Anastacia MacAllister		09/12/14		
CHK'D					
APPV'D					
MFG					
Q.A					

TITLE:
mainSupportLeg_102

DWG NO. A4

WEIGHT:

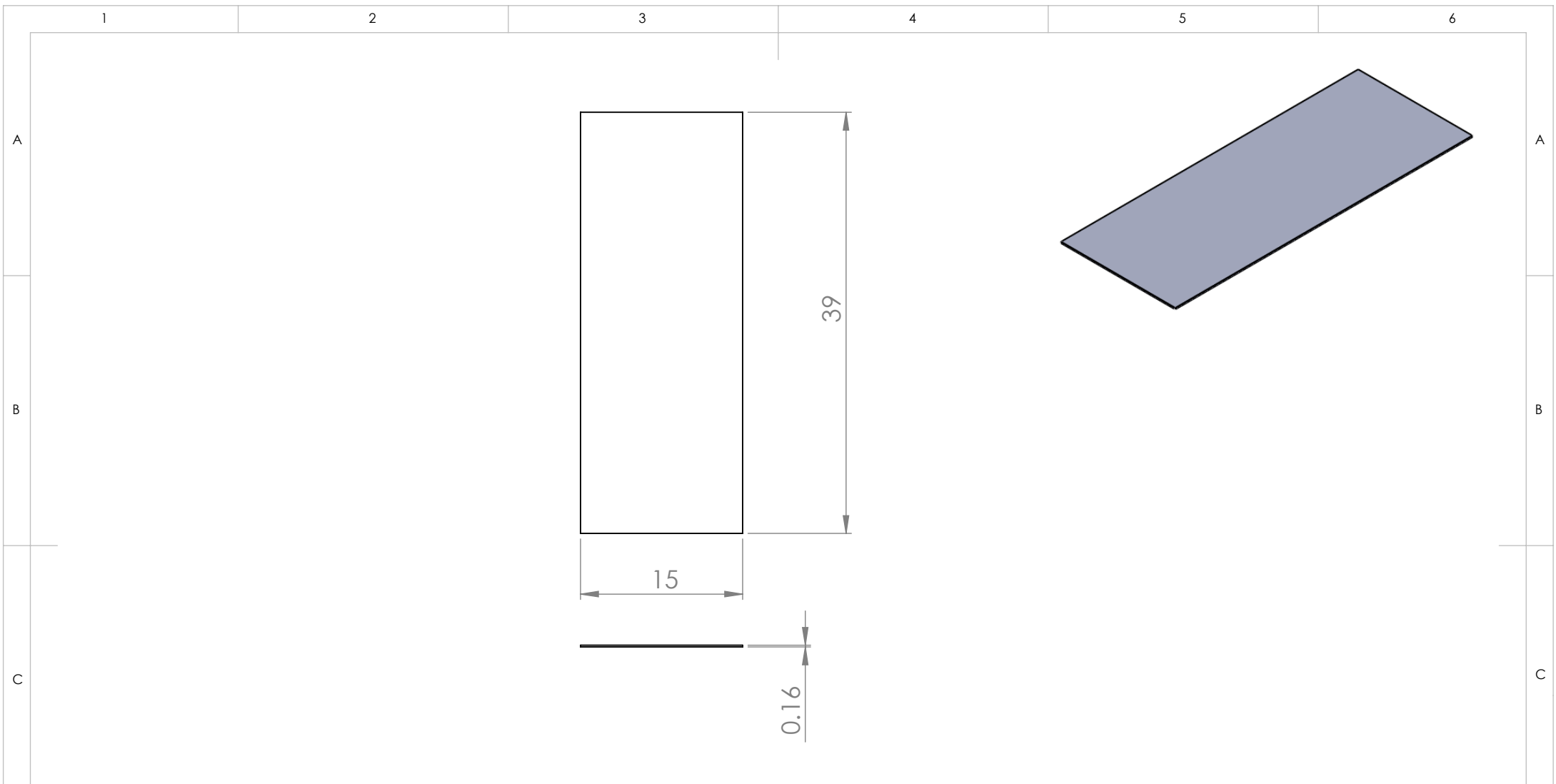
SCALE:1:10 SHEET 1 OF 1



Copyright 2014 Iowa State University of Science and Technology

Permission is granted to copy, reproduce, and distribute this seed cleaner design in any medium or format, provided that: you do not charge any fees, you include the copyright notice, and this statement appears on each copy of the design. The seed cleaner design is provided by ISU with NO WARRANTY. USERS AGREE TO ACCEPT THE SEED CLEANER DESIGN ON AN "AS IS" BASIS, WITHOUT WARRANTY OF ANY KIND, EXPRESSED OR IMPLIED. ISU SPECIFICALLY DISCLAIMS ANY IMPLIED WARRANTIES OF MERCHANTABILITY AND FITNESS FOR A PARTICULAR PURPOSE, AND THE ENTIRE RISK AS TO THE PERFORMANCE OF THE PRODUCT IS WITH THE USERS AND NOT ISU.

UNLESS OTHERWISE SPECIFIED: DIMENSIONS ARE IN MILLIMETERS SURFACE FINISH: TOLERANCES: LINEAR: ANGULAR:				FINISH:		DEBUR AND BREAK SHARP EDGES		DO NOT SCALE DRAWING		REVISION R0	
								Dimensions in cm			
								materialCatch_110			
				MATERIAL: Sheet Metal		DWG NO.				A4	
				WEIGHT:		SCALE:1:5		SHEET 1 OF 1			
DRAWN Anastacia MacAllister		SIGNATURE		DATE 09/12/14							
CHK'D											
APPV'D											
MFG											
Q.A											



Copyright 2014 Iowa State University of Science and Technology

Permission is granted to copy, reproduce, and distribute this seed cleaner design in any medium or format, provided that: you do not charge any fees, you include the copyright notice, and this statement appears on each copy of the design. The seed cleaner design is provided by ISU with NO WARRANTY. USERS AGREE TO ACCEPT THE SEED CLEANER DESIGN ON AN "AS IS" BASIS, WITHOUT WARRANTY OF ANY KIND, EXPRESSED OR IMPLIED. ISU SPECIFICALLY DISCLAIMS ANY IMPLIED WARRANTIES OF MERCHANTABILITY AND FITNESS FOR A PARTICULAR PURPOSE, AND THE ENTIRE RISK AS TO THE PERFORMANCE OF THE PRODUCT IS WITH THE USERS AND NOT ISU.

UNLESS OTHERWISE SPECIFIED: DIMENSIONS ARE IN MILLIMETERS SURFACE FINISH: TOLERANCES: LINEAR: ANGULAR:				FINISH:		DEBUR AND BREAK SHARP EDGES		DO NOT SCALE DRAWING		REVISION R0	
								Dimensions in cm			
								materialSlide_107			
				MATERIAL: Sheet Metal		DWG NO.				A4	
				WEIGHT:		SCALE:1:5		SHEET 1 OF 1			

D

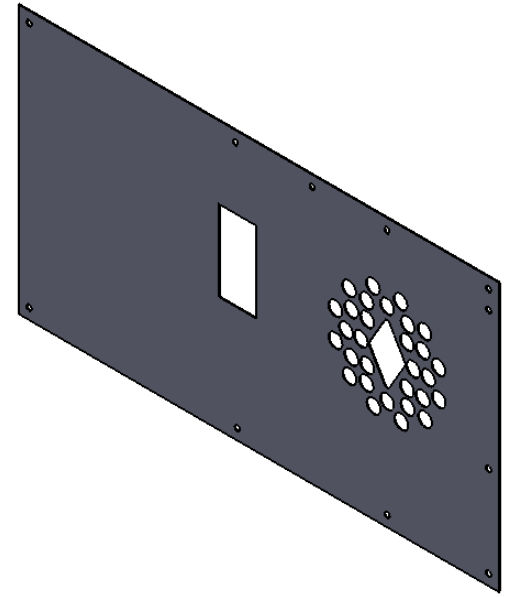
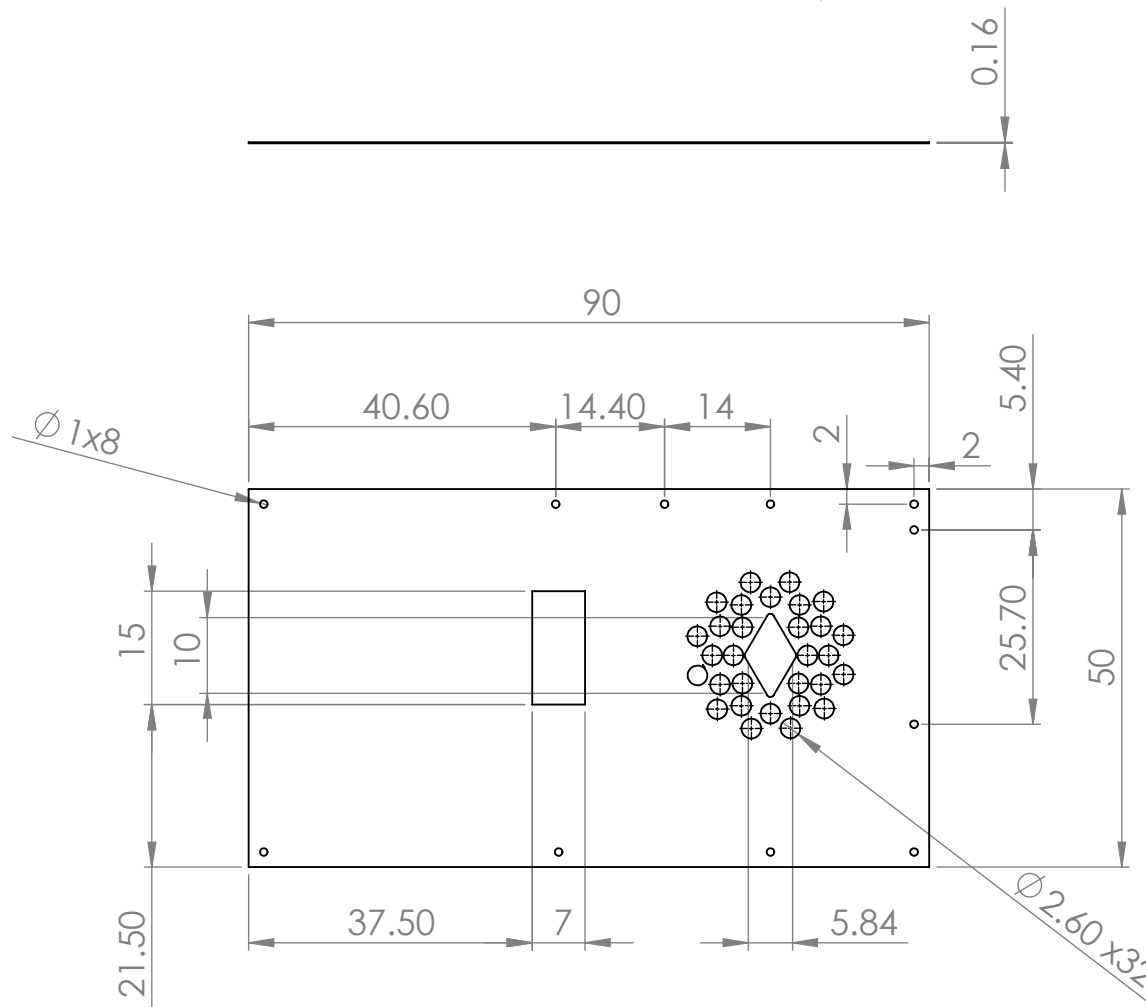
1

2

WEIGHT:

SCALE:1:5

SHEET 1 OF 1



Copyright 2014 Iowa State University of Science and Technology

Permission is granted to copy, reproduce, and distribute this seed cleaner design in any medium or format, provided that: you do not charge any fees, you include the copyright notice, and this statement appears on each copy of the design. The seed cleaner design is provided by ISU with NO WARRANTY. USERS AGREE TO ACCEPT THE SEED CLEANER DESIGN ON AN "AS IS" BASIS, WITHOUT WARRANTY OF ANY KIND, EXPRESSED OR IMPLIED. ISU SPECIFICALLY DISCLAIMS ANY IMPLIED WARRANTIES OF MERCHANTABILITY AND FITNESS FOR A PARTICULAR PURPOSE, AND THE ENTIRE RISK AS TO THE PERFORMANCE OF THE PRODUCT IS WITH THE USERS AND NOT ISU.

UNLESS OTHERWISE SPECIFIED:
 DIMENSIONS ARE IN MILLIMETERS
 SURFACE FINISH:
 TOLERANCES:
 LINEAR:
 ANGULAR:

FINISH:

 DEBUR AND
 BREAK SHARP
 EDGES

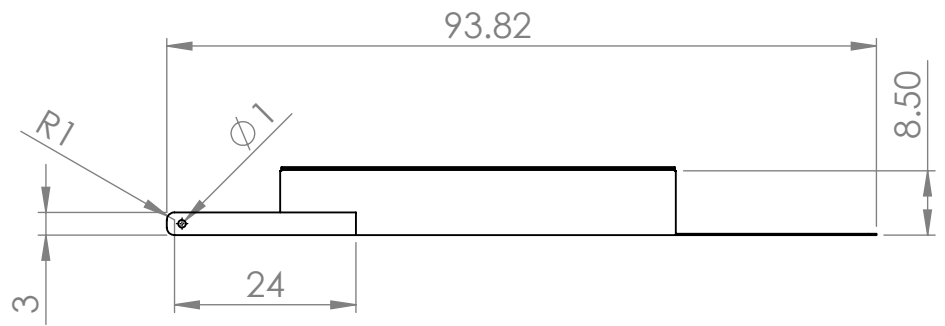
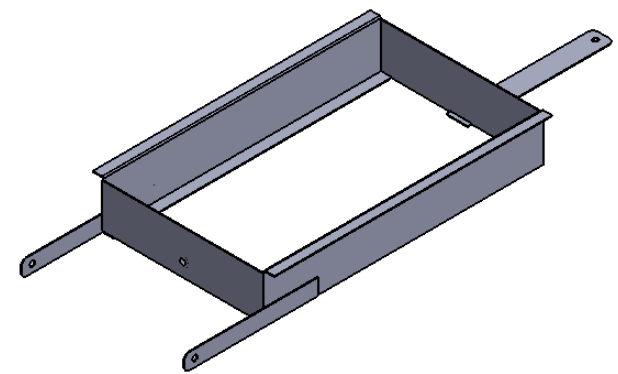
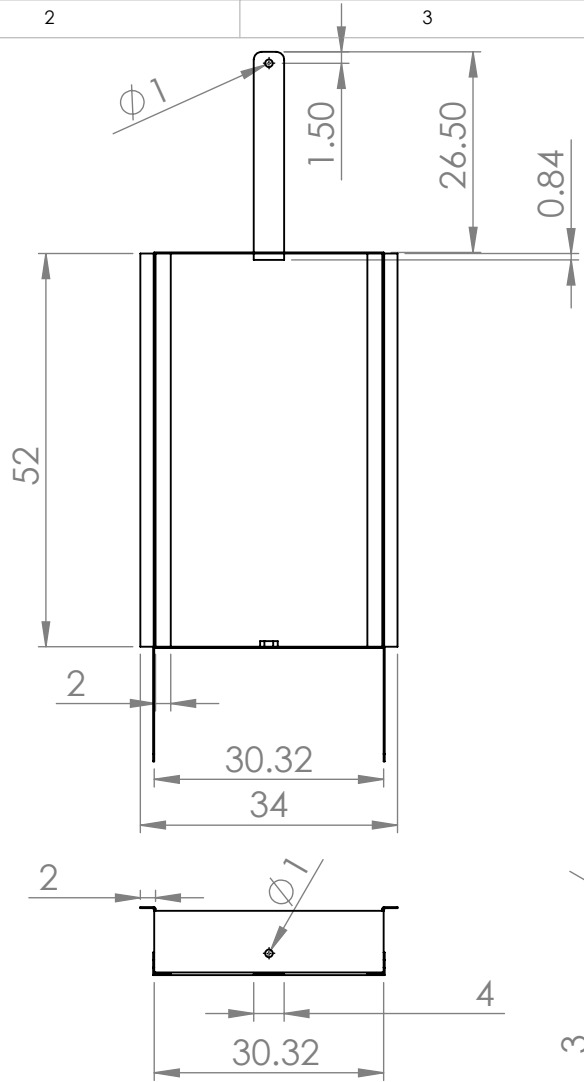
DO NOT SCALE DRAWING REVISION R0

	NAME	SIGNATURE	DATE		
DRAWN	Anastacia MacAllister		09/13/14		
CHK'D					
APPV'D					
MFG					
Q.A					

Dimensions in cm

TITLE:
 sidePanel_113

MATERIAL:
 Sheet Metal DWG NO. A4



Copyright 2014 Iowa State University of Science and Technology

Permission is granted to copy, reproduce, and distribute this seed cleaner design in any medium or format, provided that: you do not charge any fees, you include the copyright notice, and this statement appears on each copy of the design. The seed cleaner design is provided by ISU with NO WARRANTY. USERS AGREE TO ACCEPT THE SEED CLEANER DESIGN ON AN "AS IS" BASIS, WITHOUT WARRANTY OF ANY KIND, EXPRESSED OR IMPLIED. ISU SPECIFICALLY DISCLAIMS ANY IMPLIED WARRANTIES OF MERCHANTABILITY AND FITNESS FOR A PARTICULAR PURPOSE, AND THE ENTIRE RISK AS TO THE PERFORMANCE OF THE PRODUCT IS WITH THE USERS AND NOT ISU.

UNLESS OTHERWISE SPECIFIED:
 DIMENSIONS ARE IN MILLIMETERS
 SURFACE FINISH:
 TOLERANCES:
 LINEAR:
 ANGULAR:

FINISH:

 DEBUR AND
 BREAK SHARP
 EDGES

DO NOT SCALE DRAWING REVISION R0

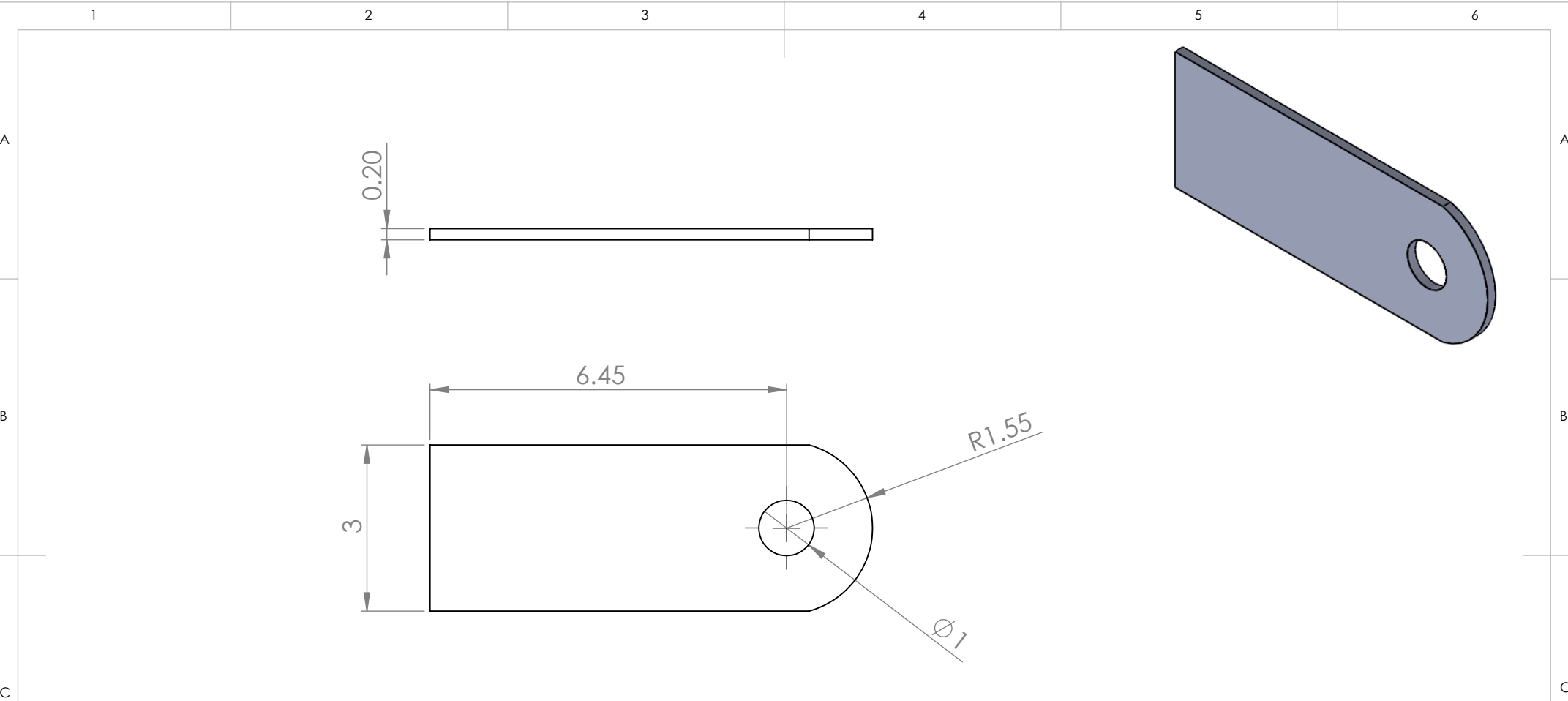
Dimensions in cm

sieveFrame_129

	NAME	SIGNATURE	DATE
DRAWN	Anastacia MacAllister		09/13/14
CHK'D			
APPV'D			
MFG			
Q.A			

MATERIAL:
 Sheet Metal

DWG NO. A4

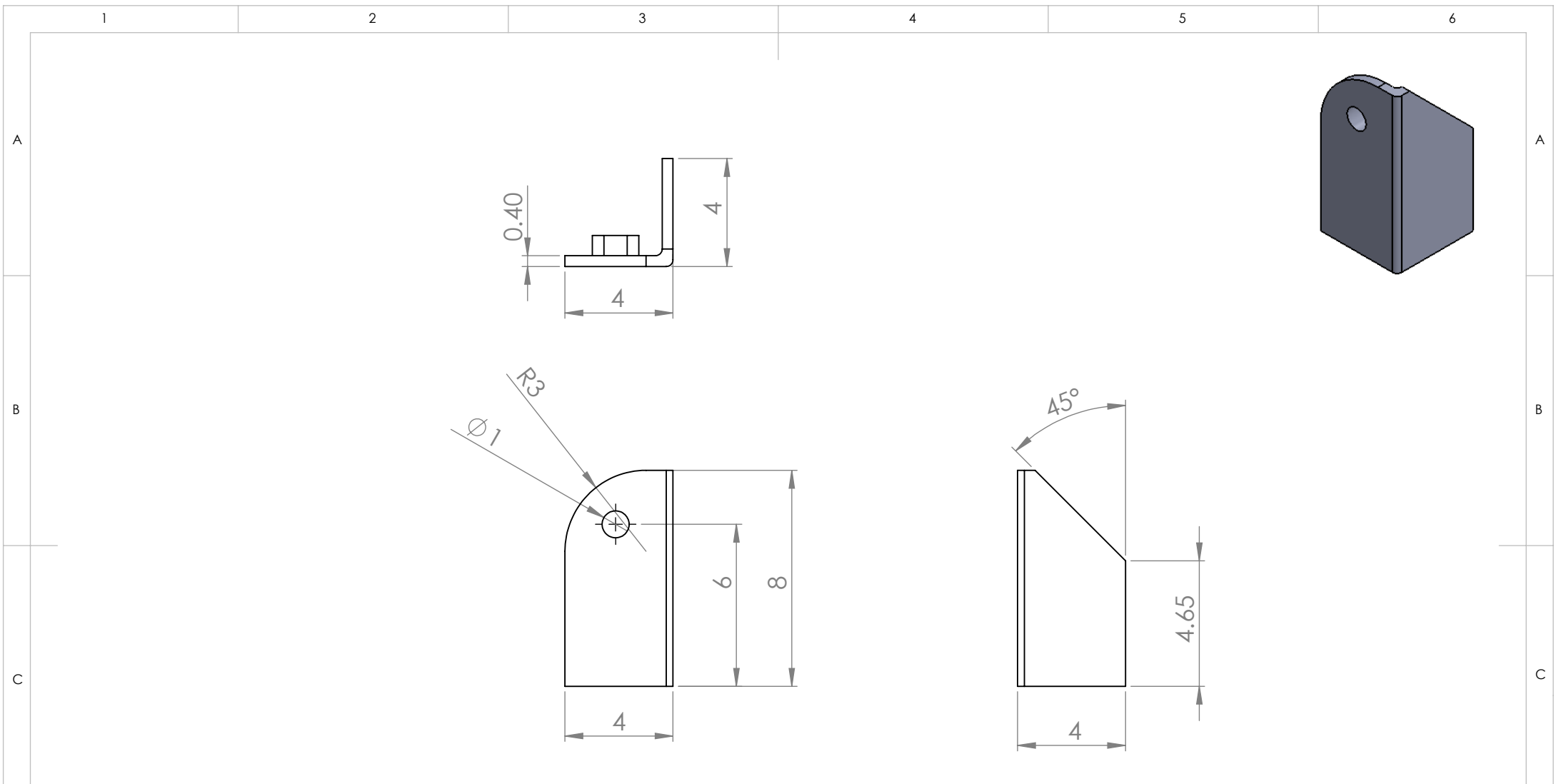


Copyright 2014 Iowa State University of Science and Technology

Permission is granted to copy, reproduce, and distribute this seed cleaner design in any medium or format, provided that: you do not charge any fees, you include the copyright notice, and this statement appears on each copy of the design. The seed cleaner design is provided by ISU with NO WARRANTY. USERS AGREE TO ACCEPT THE SEED CLEANER DESIGN ON AN "AS IS" BASIS, WITHOUT WARRANTY OF ANY KIND, EXPRESSED OR IMPLIED. ISU SPECIFICALLY DISCLAIMS ANY IMPLIED WARRANTIES OF MERCHANTABILITY AND FITNESS FOR A PARTICULAR PURPOSE, AND THE ENTIRE RISK AS TO THE PERFORMANCE OF THE PRODUCT IS WITH THE USERS AND NOT ISU.

UNLESS OTHERWISE SPECIFIED: DIMENSIONS ARE IN MILLIMETERS SURFACE FINISH: TOLERANCES: LINEAR: ANGULAR:		FINISH:		DEBUR AND BREAK SHARP EDGES	
	NAME	SIGNATURE	DATE		
DRAWN	Anastacia MacAllister		09/12/14		
CHK'D					
APPV'D					
MFG					
Q.A				MATERIAL:	
				Sheet Metal	
				WEIGHT:	

DO NOT SCALE DRAWING		REVISION	R0
Dimensions in cm			
TITLE: sieveFrameLock_104			
DWG NO.		A4	
SCALE:1:1		SHEET 1 OF 1	



Copyright 2014 Iowa State University of Science and Technology

Permission is granted to copy, reproduce, and distribute this seed cleaner design in any medium or format, provided that: you do not charge any fees, you include the copyright notice, and this statement appears on each copy of the design. The seed cleaner design is provided by ISU with NO WARRANTY. USERS AGREE TO ACCEPT THE SEED CLEANER DESIGN ON AN "AS IS" BASIS, WITHOUT WARRANTY OF ANY KIND, EXPRESSED OR IMPLIED. ISU SPECIFICALLY DISCLAIMS ANY IMPLIED WARRANTIES OF MERCHANTABILITY AND FITNESS FOR A PARTICULAR PURPOSE, AND THE ENTIRE RISK AS TO THE PERFORMANCE OF THE PRODUCT IS WITH THE USERS AND NOT ISU.

UNLESS OTHERWISE SPECIFIED:
 DIMENSIONS ARE IN MILLIMETERS
 SURFACE FINISH:
 TOLERANCES:
 LINEAR:
 ANGULAR:

FINISH:

 DEBUR AND
 BREAK SHARP
 EDGES

DO NOT SCALE DRAWING REVISION R0

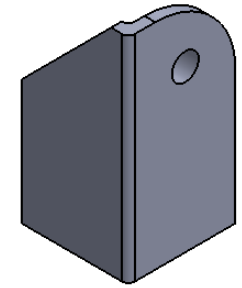
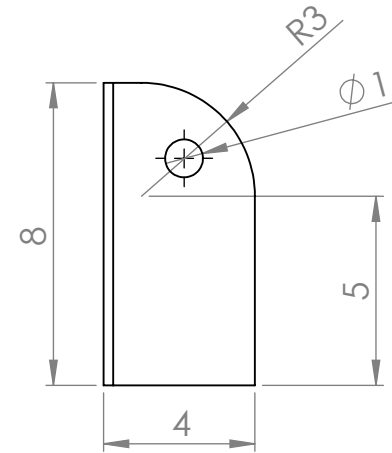
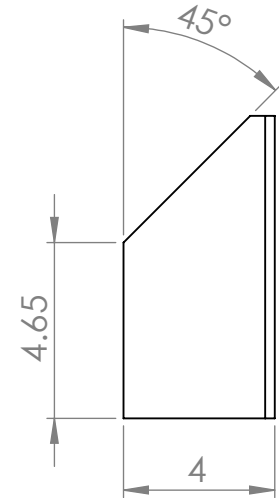
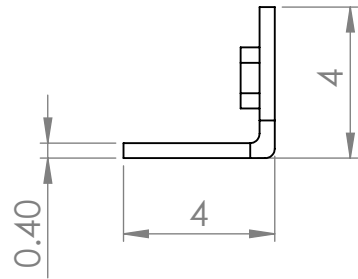
Dimensions in cm

	NAME	SIGNATURE	DATE		
DRAWN	Anastacia MacAllister		09/12/14		
CHK'D					
APPV'D					
MFG					
Q.A					

TITLE:
sieveHingeLeft_106

DWG NO. A4

WEIGHT: SCALE:1:2 SHEET 1 OF 1



Copyright 2014 Iowa State University of Science and Technology

Permission is granted to copy, reproduce, and distribute this seed cleaner design in any medium or format, provided that: you do not charge any fees, you include the copyright notice, and this statement appears on each copy of the design. The seed cleaner design is provided by ISU with NO WARRANTY. USERS AGREE TO ACCEPT THE SEED CLEANER DESIGN ON AN "AS IS" BASIS, WITHOUT WARRANTY OF ANY KIND, EXPRESSED OR IMPLIED. ISU SPECIFICALLY DISCLAIMS ANY IMPLIED WARRANTIES OF MERCHANTABILITY AND FITNESS FOR A PARTICULAR PURPOSE, AND THE ENTIRE RISK AS TO THE PERFORMANCE OF THE PRODUCT IS WITH THE USERS AND NOT ISU.

UNLESS OTHERWISE SPECIFIED:
DIMENSIONS ARE IN MILLIMETERS
SURFACE FINISH:
TOLERANCES:
LINEAR:
ANGULAR:

FINISH:

DEBUR AND
BREAK SHARP
EDGES

DO NOT SCALE DRAWING

REVISION R0

Dimensions in cm

TITLE:

sieveHingeRight_105

DWG NO.

A4

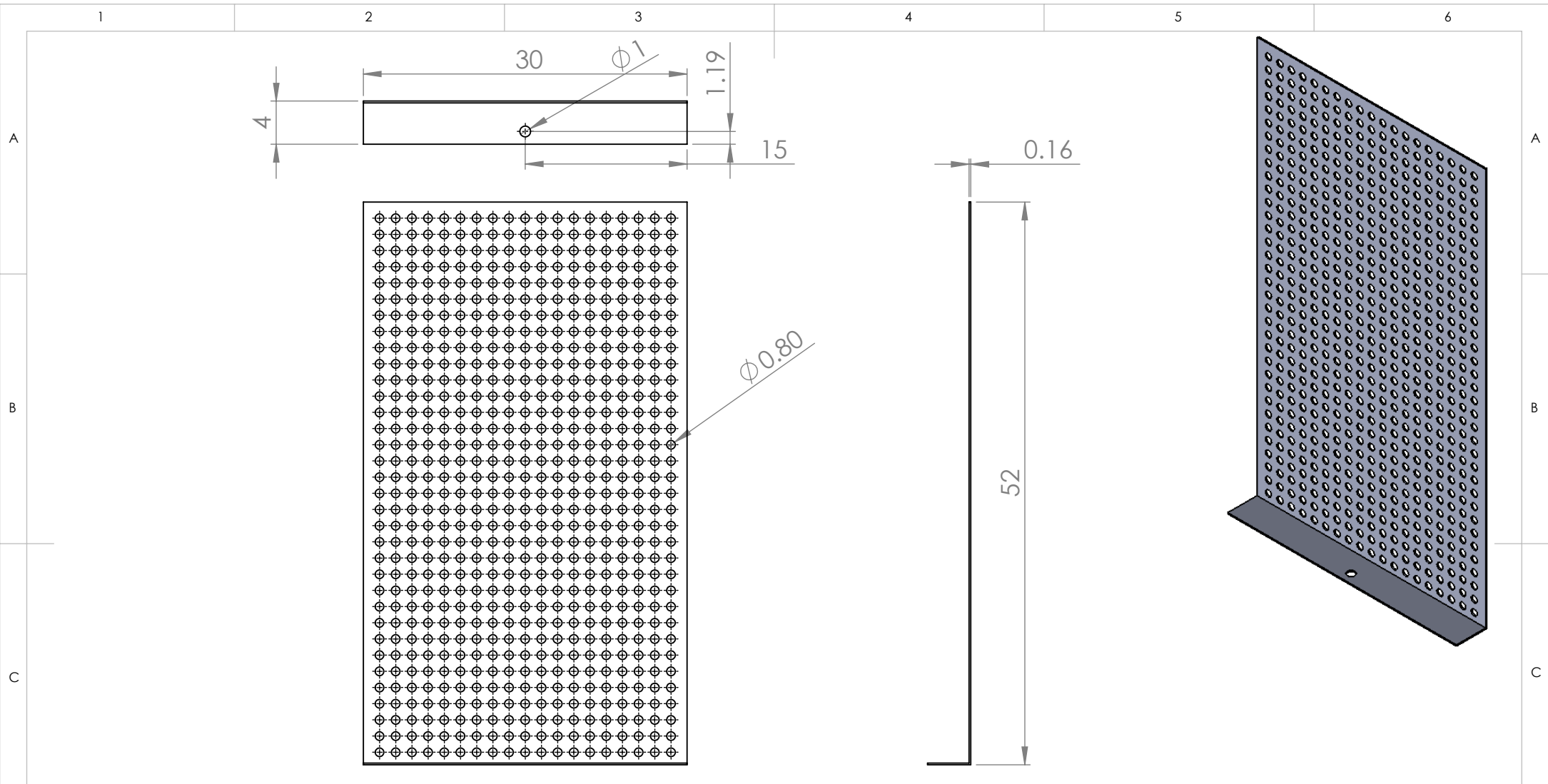
MATERIAL:

Angle Iron

WEIGHT:

SCALE:1:2

SHEET 1 OF 1



Copyright 2014 Iowa State University of Science and Technology

Permission is granted to copy, reproduce, and distribute this seed cleaner design in any medium or format, provided that: you do not charge any fees, you include the copyright notice, and this statement appears on each copy of the design. The seed cleaner design is provided by ISU with NO WARRANTY. USERS AGREE TO ACCEPT THE SEED CLEANER DESIGN ON AN "AS IS" BASIS, WITHOUT WARRANTY OF ANY KIND, EXPRESSED OR IMPLIED. ISU SPECIFICALLY DISCLAIMS ANY IMPLIED WARRANTIES OF MERCHANTABILITY AND FITNESS FOR A PARTICULAR PURPOSE, AND THE ENTIRE RISK AS TO THE PERFORMANCE OF THE PRODUCT IS WITH THE USERS AND NOT ISU.

UNLESS OTHERWISE SPECIFIED:
DIMENSIONS ARE IN MILLIMETERS
SURFACE FINISH:
TOLERANCES:
LINEAR:
ANGULAR:

FINISH:

DEBUR AND
BREAK SHARP
EDGES

DO NOT SCALE DRAWING

REVISION R0

Dimensions in cm

TITLE:

sieveMesh_130

DWG NO.

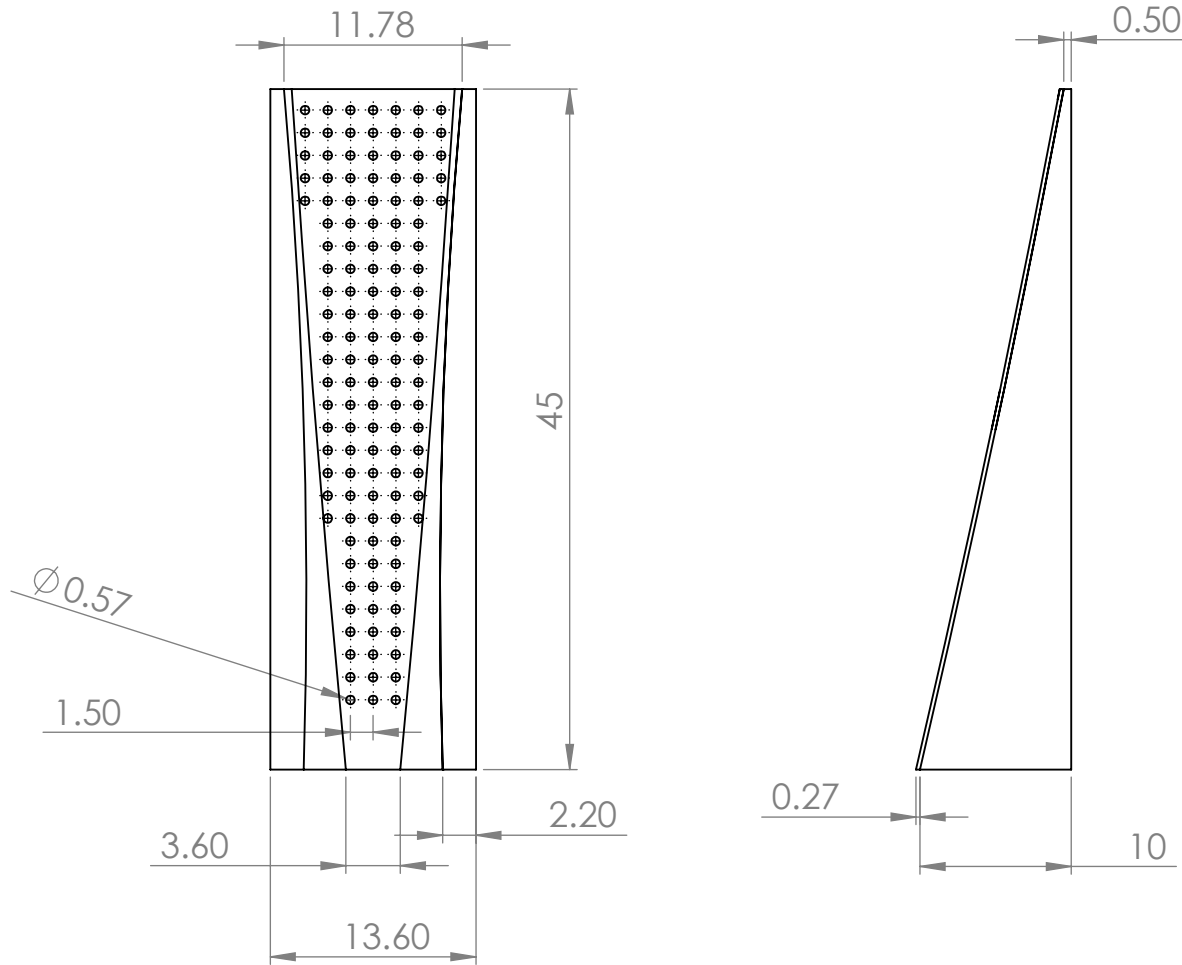
A4

MATERIAL:
Sheet Metal

WEIGHT:

SCALE:1:10

SHEET 1 OF 1



Copyright 2014 Iowa State University of Science and Technology

Permission is granted to copy, reproduce, and distribute this seed cleaner design in any medium or format, provided that: you do not charge any fees, you include the copyright notice, and this statement appears on each copy of the design. The seed cleaner design is provided by ISU with NO WARRANTY. USERS AGREE TO ACCEPT THE SEED CLEANER DESIGN ON AN "AS IS" BASIS, WITHOUT WARRANTY OF ANY KIND, EXPRESSED OR IMPLIED. ISU SPECIFICALLY DISCLAIMS ANY IMPLIED WARRANTIES OF MERCHANTABILITY AND FITNESS FOR A PARTICULAR PURPOSE, AND THE ENTIRE RISK AS TO THE PERFORMANCE OF THE PRODUCT IS WITH THE USERS AND NOT ISU.

UNLESS OTHERWISE SPECIFIED:
DIMENSIONS ARE IN MILLIMETERS
SURFACE FINISH:
TOLERANCES:
LINEAR:
ANGULAR:

FINISH:

DEBUR AND
BREAK SHARP
EDGES

DO NOT SCALE DRAWING

REVISION R0

Dimensions in cm

TITLE:

spout_116

DWG NO.

A4

MATERIAL:
Sheet Metal

WEIGHT:

SCALE:1:5

SHEET 1 OF 1

1

2

3

4

5

6

A

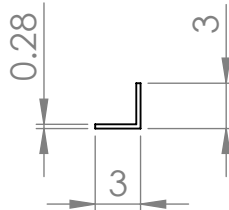
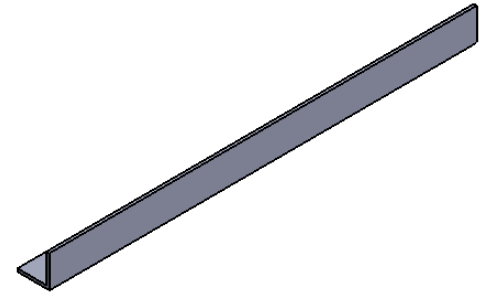
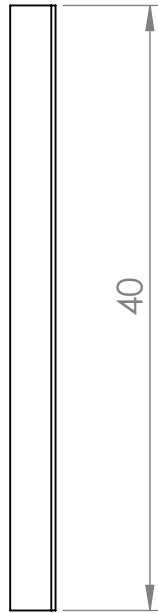
A

B

B

C

C



Copyright 2014 Iowa State University of Science and Technology

Permission is granted to copy, reproduce, and distribute this seed cleaner design in any medium or format, provided that: you do not charge any fees, you include the copyright notice, and this statement appears on each copy of the design. The seed cleaner design is provided by ISU with NO WARRANTY. USERS AGREE TO ACCEPT THE SEED CLEANER DESIGN ON AN "AS IS" BASIS, WITHOUT WARRANTY OF ANY KIND, EXPRESSED OR IMPLIED. ISU SPECIFICALLY DISCLAIMS ANY IMPLIED WARRANTIES OF MERCHANTABILITY AND FITNESS FOR A PARTICULAR PURPOSE, AND THE ENTIRE RISK AS TO THE PERFORMANCE OF THE PRODUCT IS WITH THE USERS AND NOT ISU.

UNLESS OTHERWISE SPECIFIED:
 DIMENSIONS ARE IN MILLIMETERS
 SURFACE FINISH:
 TOLERANCES:
 LINEAR:
 ANGULAR:

FINISH:

 DEBUR AND
 BREAK SHARP
 EDGES

DO NOT SCALE DRAWING REVISION R0

Dimensions in cm

	NAME	SIGNATURE	DATE		
DRAWN	Anastacia MacAllister		09/12/14		
CHK'D					
APPV'D					
MFG					
Q.A					

TITLE:

 spoutRails_108

MATERIAL:
 Angle Iron

DWG NO. A4

1

2

WEIGHT:

SCALE:1:5

SHEET 1 OF 1



Copyright 2014 Iowa State University of Science and Technology

Permission is granted to copy, reproduce, and distribute this seed cleaner design in any medium or format, provided that: you do not charge any fees, you include the copyright notice, and this statement appears on each copy of the design. The seed cleaner design is provided by ISU with NO WARRANTY. USERS AGREE TO ACCEPT THE SEED CLEANER DESIGN ON AN "AS IS" BASIS, WITHOUT WARRANTY OF ANY KIND, EXPRESSED OR IMPLIED. ISU SPECIFICALLY DISCLAIMS ANY IMPLIED WARRANTIES OF MERCHANTABILITY AND FITNESS FOR A PARTICULAR PURPOSE, AND THE ENTIRE RISK AS TO THE PERFORMANCE OF THE PRODUCT IS WITH THE USERS AND NOT ISU.

UNLESS OTHERWISE SPECIFIED: DIMENSIONS ARE IN MILLIMETERS				FINISH:		DEBUR AND BREAK SHARP EDGES		DO NOT SCALE DRAWING		REVISION R0	
SURFACE FINISH:								<h1>Dimensions in cm</h1> <h2>spoutStop_141</h2>			
TOLERANCES:											
	NAME	SIGNATURE	DATE					TITLE: DWG NO. A4			
DRAWN	Anastacia MacAllister		09/13/14								
CHK'D											
APPV'D											
MFG											
Q.A				MATERIAL:		Sheet Metal					
				WEIGHT:				SCALE:1:2		SHEET 1 OF 1	